

2023 NEW P2C 200 POS 21.5

Now, enjoy bigger and clearer
The 21.5-inch wide display can realize the visual effects that users need through a high-quality screen.

21.5" WIDE DISPLAY

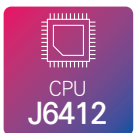


Slim bezel

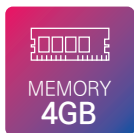


LED lamp

Speaker



CPU
J6412



MEMORY
4GB



SSD
128GB

- FHD resolution
- Internal speaker
- Black Slim Bezel
- LED back light
- Both landscape and portrait views are available
- Color : White and Grey

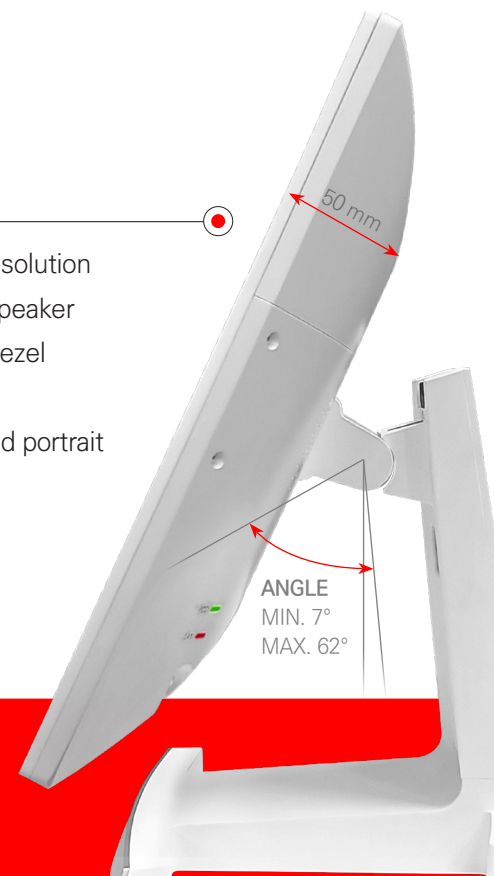
CONTACT US

+82-2-6105-7271

sales2@imupos.com



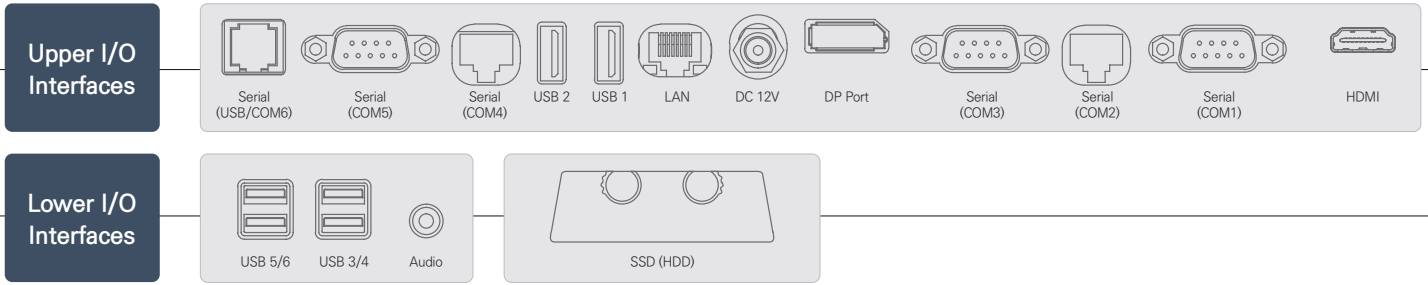
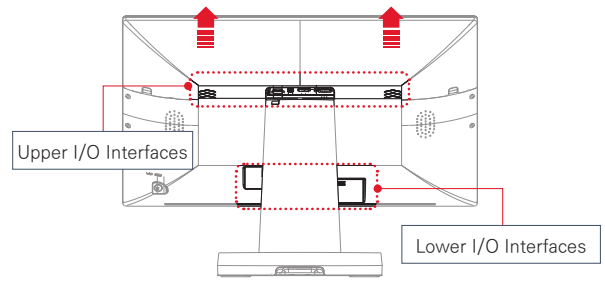
WATCHING THE
P2C SERIES
www.imupos.com



ANGLE
MIN. 7°
MAX. 62°

VARIOUS I/O INTERFACE PROVIDED

- ✔ Various serial port
- ✔ Wide rooms between I/O ports
- ✔ Multi display available (3 Products)



One Touch
installation of
2nd display



Glass touch panel
Vivid view,
No matter how long
you look at



Tighten connection
for power

Specification

E-200B	
System	
Processor	Intel® Celeron® Quad-core Processor J6412 2.0GHz/2.6GHz
Chipset / BIOS	Intel® Elkhart Lake SoC / AMI
Storage	2.5" SATA III SSD 128GB (HDD 500GB, optional)
Memory	4GB SO-DIMM / DDR4 2666MHz~3200MHz x 1 (Max 32GB, optional)
Graphics	Intel® UHD Graphics for 10th Gen Intel® Processors
Multi Mointor	3 (# of Displays Supported) - up to 3 monitors (optional)
OS	Windows 10 IoT Enterprise(64bit), Windows 11(64bit)
Display	
Primary Display Type	21.5" WLED Backlight (1920 x 1080 Resolution / 16:9 Ratio) Brightness : 300cd/m ² (Typical), Contrast Ratio : 3000:1 (Typical)
Touch	10 Point PCAP Multi-touch
I/O Interfaces	
Rear Top & Bottom Ports	
USB	2 x USB 2.0 (Rear Top x 2), 1 x USB 2.0 (RJ11), 4 x USB 3.0 (Rear Bottom x 4)
Serial	6 (DB9 x 3, RJ50 x 2, RJ11 x 1)
Audio	1 x Audio-out / 3.5mm
Secondary Display	1 x DP output (Secondary Display Support)
LAN	1 x RJ45 (Base-T 10,100,1000m/bps Ethernet)
Speaker	3W x 2
Peripheral Options	
Secondary Display	<ul style="list-style-type: none"> • LCD Type: 9.7" or 15" LCD (USB Port x 1) • Touch Monitor: 9.7" or 15" LCD with Capacitive Touch (USB Port x 1) - by single cable(no power & USB cable)
Customer Display (CDP)	FSTN LCD Type(20 columns x 2 lines)
Card Reader (MSR / SCR)	Smart Card Reader: ISO/IEC7816 EMV Level 1 / Magnetic Stripe Reader: ISO 7811 ID-1 All tracks *Interface: USB(HID) and RS232C(COM6)
Dallas Reader	Dallas Reader(i-button): 6 characters / prefix and suffix *Interface: USB(HID) and RS232C(COM6)
Physical Dimension	
Dimension (W x D x H)	524 x 251 x 386 (mm)
Weight	6.5 kg
Environment	
Power Supply	12V DC input (AC 100V~240V, 60W)
Temperature	Operating Temp : 0~40°C / Storage Temp : -20~60°C Humidity : 20~90%H non-condensing
Certifications	CE, FCC, KC, CB

* Specifications are subject to change without prior notice.