

P2C 200 Series

True All-in-One as KIOSK & POS in one terminal



Design

Harmony of Solid & Sophisticated Design and Soft & Strong product line
Space-saving & Slim style

+



Stability

Outstanding heat treatment ability through the whole aluminum ventilation frame
Longer life-span, Low maintenance fee

+



Expandability / Flexibility

Abundant I/O Ports
Wide space for I/O Port connection
Multi Display available(3p)

+



Easy Maintenance

Easy replacement of all main parts like M/B, LCD, Touch panel

+



True All-in-One

Easy Conversion by simple assembly (Landscape/ Portrait)



01

Wide space for I/O Port connection



02

Outstanding Aluminum Ventilation Frame



03

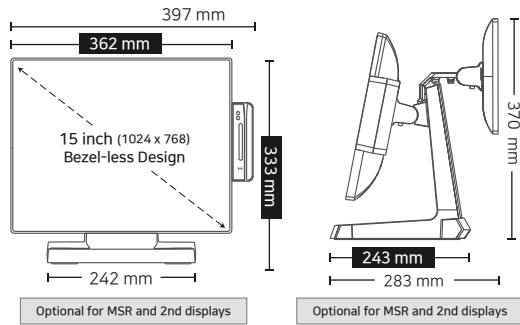
One-touch type of Dual monitor connection (Patent application)



04

Luxurious metal style of Premium logo bar

Dimension



Q. Need Enough connection I/O ports? No worries!!
6 Serials ports for power supply & many types of I/O ports are available.

Monitor upper I/O Panel

- 1 Serial (COM1)
- 2 Serial (COM2)
- 3 Serial (COM3)
- 4 DP Port
- 5 DC 12V
- 6 LAN
- 7 USB 1 / 2
- 8 Serial (COM4)
- 9 Serial (COM5)
- 10 Serial (USB / COM6)
- 11 SSD (HDD)
- 12 Audio
- 13 USB 3 / 4
- 14 USB 5 / 6
- 15 Parallel

Monitor bottom I/O Panel

- 5 DC 12V
- 12 Audio
- 13 USB 3 / 4
- 14 USB 5 / 6
- 15 Parallel

Specifications

*Specifications are subject to change without prior notice.

	S-200	J-200	G-200
System			
Processor	7th or 8th Generation Intel® Core™ i3, i5, i7 Processors	Intel® Celeron® Quad-core Processor J1900 2.0GHz	Intel® Celeron® Quad-core Processor J4125 2.0GHz/2.7GHz
Chipset / BIOS	Intel® Kaby Lake SoC / AMI	Intel® Baytrail SoC / AMI	Intel® Gemini Lake SoC / AMI
Storage	2.5" SATA III SSD 64GB (HDD 500GB & SSD 128GB, optional)	2.5" SATA III SSD 64GB (HDD 500GB & SSD 128GB, optional)	2.5" SATA III SSD 64GB (HDD 500GB & SSD 128GB, optional)
Memory	4GB SO-DIMM, DDR4 2133MHz x 2 (Max 32GB, optional)	2GB SO-DIMM, DDR3 1333MHz x 1 (Max 8GB, optional)	4GB SO-DIMM, DDR4 2400 MT/s (Max 16GB, optional)
Graphics	Intel® HD Graphics 520 / Intel® HD Graphics 620	Intel® HD Graphics	Intel® UHD Graphics 600
Multi Monitor	2 (# of Displays Supported) -- up to 3 monitors	2 (# of Displays Supported)	2 (# of Displays Supported)---up to 3 monitors
Expansion Slot	1 x mini PCI-e	1 x mini PCI-e	1 x m.2 NVMe, 1 x m.2 WiFi & Bluetooth(optional)
OS	Windows 10 IoT Enterprise Value/High-End, POSReady 7	Windows 10 IoT Enterprise Entry, POSReady 7	Windows 10 IoT Enterprise Entry(SAC-20H1, SAC-20H2)
Display			
Primary Display Type	15" WLED Backlight (Brightness: 350 cd/m ² , 1024 x 768 Resolution)		
Touch	True-Flat Capacitive 10 Point Multi-touch		
I/O Interfaces			
Rear Top & Bottom Ports			
USB	6 x USB 3.0 (Rear Top x 2, Rear Bottom x 4) 1 x USB 2.0 (included RJ11 port), 1 x USB 2.0 (included DisplayPort)	6 x USB 2.0 (Rear Top x 2, Rear Bottom x 4), 1 x USB 2.0 (included RJ11 port), 1 x USB 2.0 (included DisplayPort)	4 x USB 3.0 (Rear Top x 2, Rear Bottom x 2), 2 x USB 2.0 (Rear Bottom), 1 x USB 2.0 (included RJ11 port), 1 x USB 2.0 (included DisplayPort)
Serial	6 (DB9 x 3, RJ50 x 2, RJ11 x 1) COM1, 3, 5: DB9(+5V on pin #9, selectable by BIOS), COM2, 4: RJ50 (+5V and +12V always be on pin #10 and #1), COM6: RJ11(+5V always be on pin #1)		
Parallel	1 x LPT/IEEE 1284(DB25 on Rear Bottom)		
Audio	1 x Audio-out / 3.5mm (changeable for MIC)		
Secondary Display	1 x DisplayPort (included 1 x USB 2.0 / Power Delivery +12V) *Can be used for HDMI and Standard DVI, VGA monitor by passive cable		2 x DisplayPort(included 1 x USB/Power Delivery +12V)
LAN	1 x RJ45 (Base-T 10/100/1000 Ethernet)		
Peripheral Options			
Secondary Display DisplayPort	LCD Type: 10" or 15" LCD (USB Port x 1), Touch Type: 10" or 15" LCD with Capacitive Touch (USB Port x 1) *P2C Smart Multi Display Functions: Supported Multi Display Function by DP MST Hub / Supported Standard HDMI, DVI, DP by each cable		
Customer Display (CDP)	VFD Type (Alphabet & Numeric, 20 characters x 2 lines)		
Card Reader (MSR / SCR)	Smart Card Reader: ISO/IEC 7816 EMV Level 1 *Interface: USB(HID) and RS232C(COM6) Magnetic Stripe Reader: ISO 7811 ID-1 All tracks		
Dallas Reader	Dallas Reader(i-button): 6 characters / prefix and suffix *Interface: USB(HID) and RS232C(COM6)		
Physical Dimension			
Dimension (W x D x H)	362 x 243 x 333 (mm)		
Weight	5.3 (Kg) / 11.7 (lb)		
Environment			
Power Supply	DC 12V/5A (AC 100V~240V, 60W)		
Temperature	Operating: 0 ~ 50°C at 10% to 90% humidity		
Certifications	CE, FCC, KC, CB		

Software: POPs Retail

- Option • 1 x cash drawer port (RJ11)
- Fingerprint : Yes
- Serial conversion cable : RJ45 to D-Sub9
- Speaker : 2 x 0.8W
- Wall mount kit : VESA-Compatible, 75x75(mm), 100x100(mm)