

TOUCHMONITOR KEETOUGH 8 " OPEN FRAME KOT-0080U-CA1.8P



KEETOUGH EMBEDDED MONITOR – IS A PERFECT EMBEDDED SOLUTION FOR YOUR PROJECT.

TOUCHMONITOR KEETOUGH 8 " OPEN FRAME KOT-0080U-CA1.8P SPECIALLY DESIGNED FOR EASY INTEGRATION AND LONG LASTING OPERATION.

THE MONITOR HAS A SEVERAL OPTIONS FOR MOUNTING. THIS MODEL HAS A SOLID FRAMEWORK AND DURABLE GLASS, WHICH PROTECTS LCD FROM MECHANICAL IMPACTS. THE FRONT PANEL OF THE MONITOR IS PROTECTED AGAINST DUST. PROJECTED CAPACITIVE MULTI-TOUCH PANEL HAS A HIGH ACCURACY, SUPPORTS MULTI-TOUCH OPTION AND PERFECTLY SUITS FOR PUBLIC PLACES, BOTH INDOOR AND OUTDOOR. IT ACCEPTS TOUCH INPUT FROM A HAND OR SPECIAL STYLUS.

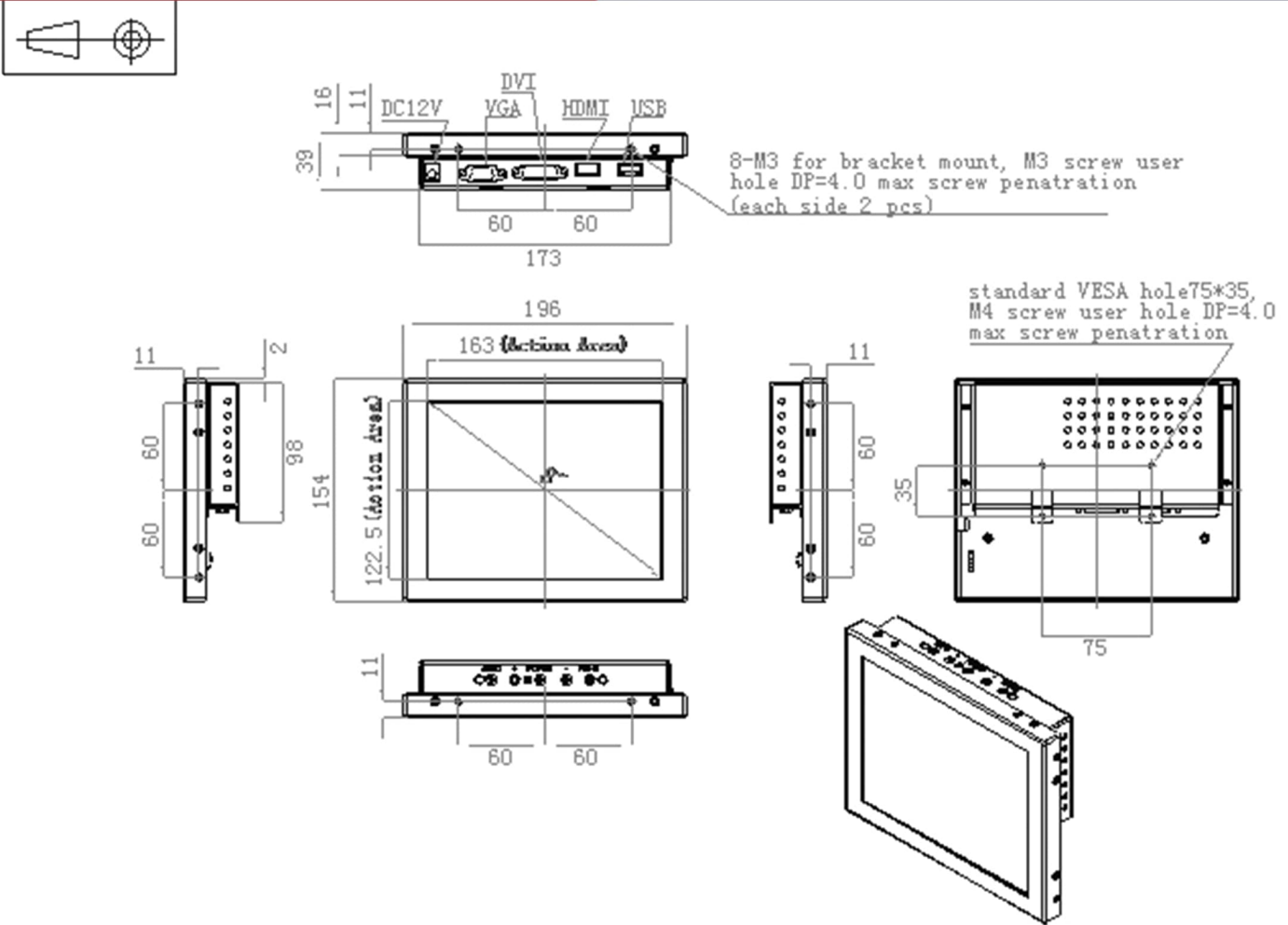
ADVANTAGES

- DURABILITY
- LONG-TERM STABLE OPERATION OVER TEMPERATURE
- DUST PREVENTION
- ROBUST CASE
- HIGH ACCURACY AND PROCESSING SPEED
- VANDAL RESISTANT
- HIGH LIGHT TRANSMISSION
- SUPPORT 10 POINTS MULTI-TOUCH
- ABILITY TO WORK WITH A FINGER OR SPECIAL STYLUS
- EASY TO USE

ADDITIONAL INFORMATION

MODEL NO.	KOT-0080U-CA1.8P
SERIES	Dust-proof (front panel)
MONITOR TYPE	Openframe
DISPLAY SIZES	8 "
ASPECT RATIO	4:3
TOUCHSCREEN TYPE	Capacitive compact touch sensor
TOUCHPOINTS	10 point
DISPLAY TYPE	Active matrix a-Si TFT- LCD
ACTIVE AREA	W 163 mm × H 122.5 mm
MONITOR WIDTH	196 mm
MONITOR HEIGHT	154 mm
MONITOR DEPTH	39 mm
OPTIMAL RESOLUTION	1024 X 768
COLORS	16.7 M
BRIGHTNESS	250 cd/m ²
VIEWING ANGLE (H)	left 75° / right 75°
VIEWING ANGLE (V)	up 75° / down 75°
CONTRAST	700:1
FREQUENCY H / V	30~80 KHz / 60~75 Hz
POWER SOURCE	External brick
INPUT VOLTAGE	100-240 VAC, 50-60 Hz
OUTPUT VOLTAGE	12 volts at 1 amps
POWER CONSUMPTION	5.6 W Max.
WORKING TEMPERATURE	-10~50°C
STORAGE TEMPERATURE	-20~60°C
WORKING HUMIDITY	20%~80%
STORAGE HUMIDITY	10%~90%
DIGITAL VIDEO IN	DVI, HDMI
ANALOG VIDEO IN	VGA
TOUCHSCREEN IN	USB
MOUNTING VESA SIZES	75 mm and 35 mm
MOUNTING OPTIONS	Horizontal or vertical brackets
ON-SCREEN DISPLAY FUNCTION (OSD)	Brightness, Contrast Ratio, Auto-adjust, Phase, H/V Location, Languages, Reset
BUTTONS	AUTO,+,POWER,-,MENU
AMOUNT IN PACKAGE	2 pcs in one package
BOX SIZE	L 251 mm × H 214 mm × W 185 mm
GROSS WEIGHT	3.85 Kg 2 pcs in one box

DRAWING



THE MAIN APPLICATIONS

- TRADING
- MANUFACTURING
- HOSPITALITY
- MEDICINE
- RESTAURANTS
- TRANSPORT
- EDUCATION
- ADVERTISING
- SECURITY
- EXPOSITION

YOU CAN USE THIS MONITOR IN ANY OTHER SPHERE

CONTACT US:

Keetouch GmbH
www.keetouch.eu
E-Mail: info@keetouch.eu

Tel.: +498007242348
Splieterstraße 61
48231 Warendorf, Deutschland