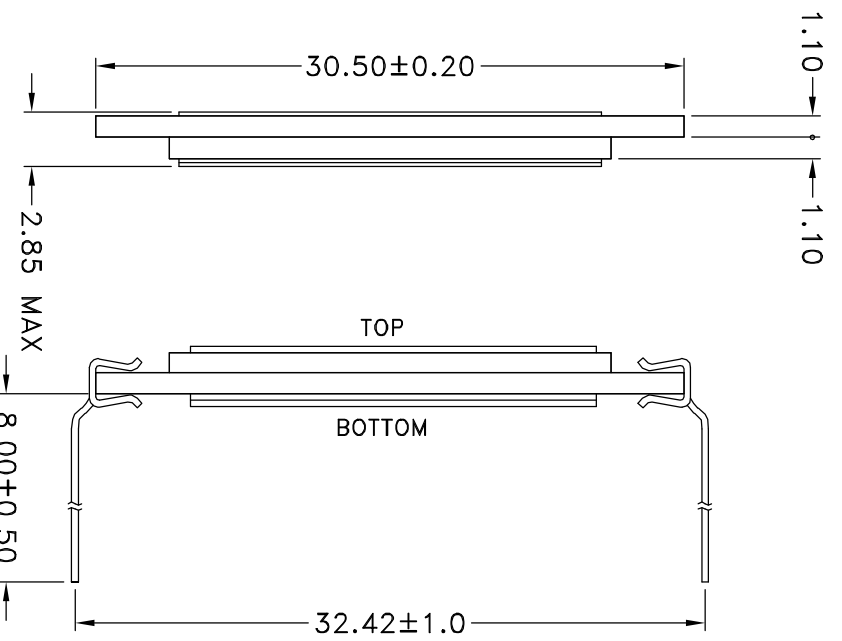
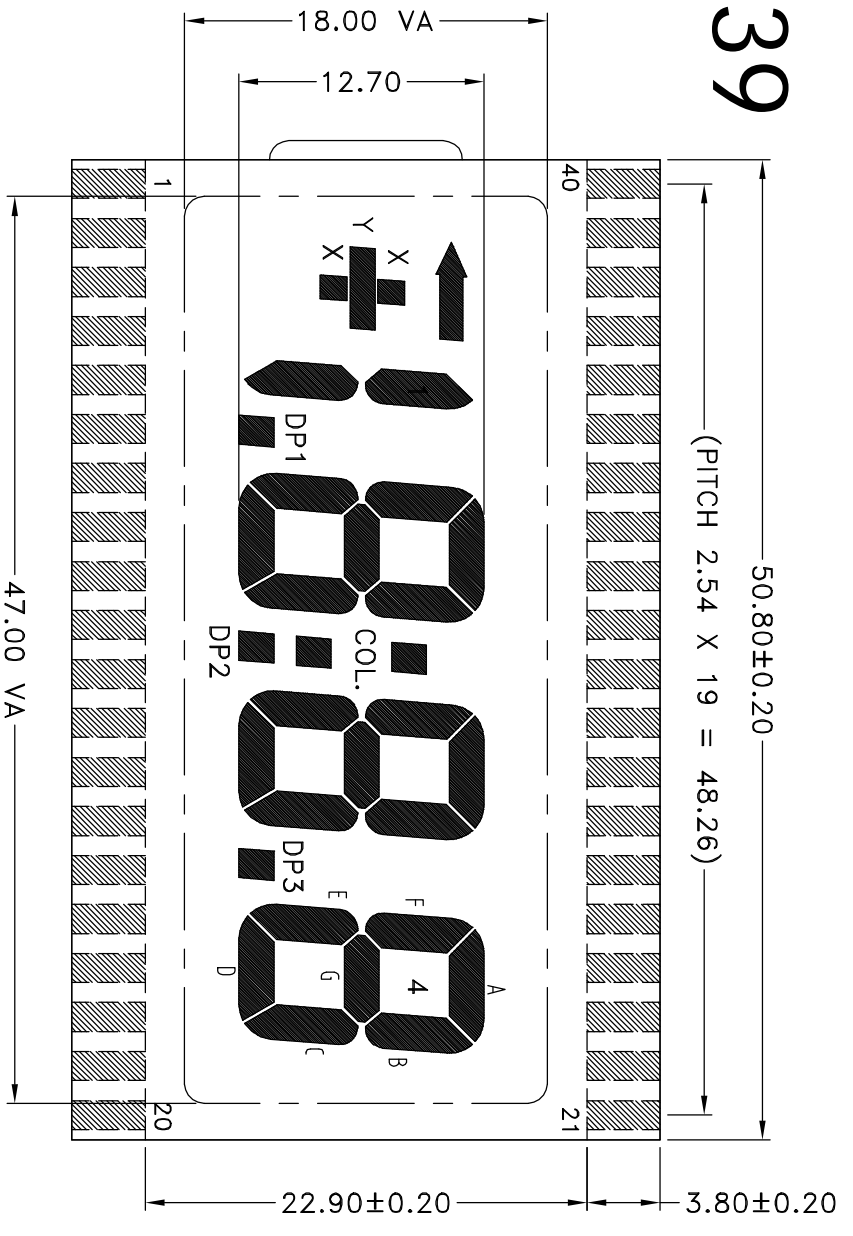


039



ELASTOMER TYPE PIN TYPE

PIN 1	2	3	4	5	6	7	8	9	10
COM COM	Y	1BC	/	/	/	/	DP1	2E	2D
PIN 11	12	13	14	15	16	17	18	19	20
COM 2C	DP2	3E	3D	3C	DP3	4E	4D	4C	4B
PIN 21	22	23	24	25	26	27	28	29	30
COM 4A	4F	4G	3B	3A	3F	3G	COL.	2B	2A
PIN 31	32	33	34	35	36	37	38	39	40
COM 2F	2G	/	/	/	/	/	←	X	COM

- NOTES:
1. LCD MODE : TN
 2. OPERATING VOLTAGE : 3.0V
 3. DRIVE METHOD : STATIC
 4. VIEW DIRECTION : 6 / 12 O'CLOCK
 5. OPERATING TEMP : NORMAL : -10°C TO 60°C; WIDE : -30°C TO 80°C
 6. STORAGE TEMP : NORMAL : -20°C TO 70°C; WIDE : -40°C TO 85°C
 7. POLARIZER MODE : REFLECTIVE / TRANSMISSIVE / TRANSMISSIVE

Displaytech Ltd
 email : sales@displaytech.com.hk
 Fax : +852 2722 6998

VERSION : 1