

# *Displaytech Ltd.*

Website: [www.displaytech.com.hk](http://www.displaytech.com.hk)

## **LCD Module Product Specification**

**Product: DT024BTFT  
2.4" TFT Display Module (240RGBx320DOTS)**

Contents in this document are subject to change without notice. No part of this document may be reproduced or transmitted in any form or by any means, electronic or mechanical, for any purpose, without the express written permission of Displaytech Ltd.

31 March 2011.

**1. REVISION RECORD**

<b>VERSION</b>	<b>CHANGES</b>	<b>DATE</b>
1.0	Initial revision	31 March 2011

**Table of Content**

**1. REVISION RECORD..... 1**

**2. Introduction ..... 3**

**3. General Specifications ..... 3**

**4. Mechanical Drawing ..... 4**

**5. Interface Description ..... 5**

**6. Absolute Maximum Ratings..... 7**

**7. Electrical Characteristics ..... 7**

**8. Display Controller /Power Supply Timing ..... 7**

**9. Backlight specification ..... 8**

**10. Optical Characteristics ..... 8**

**11. Safety Precaution ..... 11**

## 2. Introduction

**DT024BTFT** is a display module that contains a TFT display with a 320 \* 240 RGB resolution. The driver used for this project is the Ilitek **ILI9340 or compatible** and can display 262K colors. The driver is mounted on the glass and the interconnection via FPC including components to drive the display module.

## 3. General Specifications

Item	Specification	Unit
LCD mode	Transmissive	---
Resolution	240(RGB)	Line
	320	Line
Diagonal Size	2.4	Inch
Overall Size	42.72	mm
	59.46	mm
Active area	36.72	mm
	48.96	mm
Optimum Viewing Direction	6 o'clock	---
Driver IC	ILI9340	---
Interface type	MCU parallel / RGB (1)	---
Colours	262K	---
Operation temperature range ( <b>DT024BTFT</b> )	-20~70	°C
Storage temperature range ( <b>DT024BTFT</b> )	-30~80	°C

### Remarks:

- (1) Serial interface is available, but not recommendable, as the speed of it is very slow.
- (2) Recommended mating connector: Hirose FH19SC-45S-0.5SH, FH12S-45S-0.5SH; or Molex 0512964593, 0512964594; or equivalent
- (3) Color tune may be changed slightly by temperature and driving voltage.
- (4) RoHS compliant.

### Component Life Cycle

- 1) Storage Life: min. 1 Year
- 2) Operation Life (\*1): min. 43 x 10<sup>3</sup> h (24hr/day x 7days/week x 52weeks/year x 5years)  
(Not include backlight)
- 3) Storage and Operation Life Times are defined for a temperature of +25°C

### Notes:

\*1. Operation life ends when one of the listed faults occurs:

- The on/off response-times reach 1.5 times of the max. value specified for a new display
- The contrast is reduced to 0.5 of the original contrast value
- Loss of function
- The number of cosmetic defects exceeds the maximum defined

### 4. Mechanical Drawing

#### • DT024BTFT

REV.	DESCRIPTIONS	DWG.	APPD.	DATE

No	PIN NAME	No	PIN NAME
1	NC	24	DB4
2	IM0	25	DB3
3	IM1	26	DB2
4	IM2	27	DB1
5	IM3	28	DB0
6	RESET	29	SD0
7	VSYNC	30	SD1
8	HSYNC	31	RD
9	DOTCLK	32	RS/SCL
10	ENABLE	33	WR
11	DBI7	34	CS
12	DBI6	35	FMARK
13	DBI5	36	VCC
14	DBI4	37	VCC
15	DBI3	38	GND
16	DBI2	39	GND
17	DBI1	40	LED A
18	DBI0	41	LED K
19	DB9	42	YD(NC)
20	DB8	43	XR(NC)
21	DB7	44	YU(NC)
22	DB6	45	XL(NC)
23	DB5		

**PROJECTION**

**Displaytech Ltd**

SCALE: \_\_\_\_\_ DRAWN BY: \_\_\_\_\_ DATE: 20DEC10  
 SHT# \_\_\_\_\_ APP. BY: \_\_\_\_\_ DATE: \_\_\_\_\_  
 DWG. DT024BTFT

PROJ# \_\_\_\_\_ DWG# \_\_\_\_\_  
 MODEL# \_\_\_\_\_ REV. \_\_\_\_\_ gl \_\_\_\_\_ DATE \_\_\_\_\_  
 RELEASE TO: \_\_\_\_\_

DO NOT SCALE DRAWING

**NOTES:**

- DISPLAY TYPE: TFT-LCD
- DISPLAY DIRECTION: 6:00
- MAIN LCD DRIVE IC: ILI9340
- POLARIZER MODE: TRANSMISSIVE/ POSITIVE
- DRIVE METHOD: 1/320 DUTY
- VCC: 2.8V (Typ)
- BACKLIGHT: WHITE LED-3CHIP
- OPERATING TEMP: -20°C ~ 70°C
- STORAGE TEMP: -30°C ~ 80°C
- UNMARKED TOLERANCE: ±0.2
- IMPORTANT DIMENSION: ( )
- REFERENCE DIMENSION: ( )
- REQUIREMENTS ON ENVIRONMENTAL PROTECTION: RoHS

**DOTS DETAIL**

RGB  
 0.153  
 0.153  
 0.153

**CIRCUIT DIAGRAM**

CONSTANT CURRENT: I=20mA Vf=9.6V(Typ)

5. Interface Description

Pin no	Symbol	I/O	Description																																																																																																		
1	NC	---	No connection																																																																																																		
2	IM0	I	- Select the MCU interface mode																																																																																																		
			<table border="1"> <thead> <tr> <th>IM3</th> <th>IM2</th> <th>IM1</th> <th>IM0</th> <th>MCU-Interface Mode</th> <th colspan="2">DB Pin in use</th> </tr> <tr> <th colspan="4"></th> <th>Register/Content</th> <th>GRAM</th> <th></th> </tr> </thead> <tbody> <tr> <td>0</td> <td>0</td> <td>0</td> <td>0</td> <td>80 MCU 8-bit bus interface I</td> <td>D[7:0]</td> <td>D[7:0]</td> </tr> <tr> <td>0</td> <td>0</td> <td>0</td> <td>1</td> <td>80 MCU 16-bit bus interface I</td> <td>D[7:0]</td> <td>D[15:0]</td> </tr> <tr> <td>0</td> <td>0</td> <td>1</td> <td>0</td> <td>80 MCU 9-bit bus interface I</td> <td>D[7:0]</td> <td>D[8:0]</td> </tr> <tr> <td>0</td> <td>0</td> <td>1</td> <td>1</td> <td>80 MCU 18-bit bus interface I</td> <td>D[7:0]</td> <td>D[17:0]</td> </tr> <tr> <td>0</td> <td>1</td> <td>0</td> <td>1</td> <td>3-wire 9-bit data serial interface I</td> <td colspan="2">SDA: In/OUT</td> </tr> <tr> <td>0</td> <td>1</td> <td>1</td> <td>0</td> <td>4-wire 8-bit data serial interface I</td> <td colspan="2">SDA: In/OUT</td> </tr> <tr> <td>1</td> <td>0</td> <td>0</td> <td>0</td> <td>80 MCU 16-bit bus interface II</td> <td>D[8:1]</td> <td>D[17:10] D[8:1]</td> </tr> <tr> <td>1</td> <td>0</td> <td>0</td> <td>1</td> <td>80 MCU 8-bit bus interface II</td> <td>D[17:10]</td> <td>D[17:10]</td> </tr> <tr> <td>1</td> <td>0</td> <td>1</td> <td>0</td> <td>80 MCU 18-bit bus interface II</td> <td>D[8:1]</td> <td>D[17:0]</td> </tr> <tr> <td>1</td> <td>0</td> <td>1</td> <td>1</td> <td>80 MCU 9-bit bus interface II</td> <td>D[17:10]</td> <td>D[17:9]</td> </tr> <tr> <td>1</td> <td>1</td> <td>0</td> <td>1</td> <td>3-wire 9-bit data serial interface II</td> <td colspan="2">SDI: In SDO: Out</td> </tr> <tr> <td>1</td> <td>1</td> <td>1</td> <td>0</td> <td>4-wire 8-bit data serial interface II</td> <td colspan="2">SDI: In SDO: Out</td> </tr> </tbody> </table>	IM3	IM2	IM1	IM0	MCU-Interface Mode	DB Pin in use						Register/Content	GRAM		0	0	0	0	80 MCU 8-bit bus interface I	D[7:0]	D[7:0]	0	0	0	1	80 MCU 16-bit bus interface I	D[7:0]	D[15:0]	0	0	1	0	80 MCU 9-bit bus interface I	D[7:0]	D[8:0]	0	0	1	1	80 MCU 18-bit bus interface I	D[7:0]	D[17:0]	0	1	0	1	3-wire 9-bit data serial interface I	SDA: In/OUT		0	1	1	0	4-wire 8-bit data serial interface I	SDA: In/OUT		1	0	0	0	80 MCU 16-bit bus interface II	D[8:1]	D[17:10] D[8:1]	1	0	0	1	80 MCU 8-bit bus interface II	D[17:10]	D[17:10]	1	0	1	0	80 MCU 18-bit bus interface II	D[8:1]	D[17:0]	1	0	1	1	80 MCU 9-bit bus interface II	D[17:10]	D[17:9]	1	1	0	1	3-wire 9-bit data serial interface II	SDI: In SDO: Out		1	1	1	0	4-wire 8-bit data serial interface II	SDI: In SDO: Out	
IM3	IM2		IM1	IM0	MCU-Interface Mode	DB Pin in use																																																																																															
				Register/Content	GRAM																																																																																																
0	0		0	0	80 MCU 8-bit bus interface I	D[7:0]	D[7:0]																																																																																														
0	0		0	1	80 MCU 16-bit bus interface I	D[7:0]	D[15:0]																																																																																														
0	0		1	0	80 MCU 9-bit bus interface I	D[7:0]	D[8:0]																																																																																														
0	0		1	1	80 MCU 18-bit bus interface I	D[7:0]	D[17:0]																																																																																														
0	1		0	1	3-wire 9-bit data serial interface I	SDA: In/OUT																																																																																															
0	1		1	0	4-wire 8-bit data serial interface I	SDA: In/OUT																																																																																															
1	0		0	0	80 MCU 16-bit bus interface II	D[8:1]	D[17:10] D[8:1]																																																																																														
1	0		0	1	80 MCU 8-bit bus interface II	D[17:10]	D[17:10]																																																																																														
1	0		1	0	80 MCU 18-bit bus interface II	D[8:1]	D[17:0]																																																																																														
1	0		1	1	80 MCU 9-bit bus interface II	D[17:10]	D[17:9]																																																																																														
1	1		0	1	3-wire 9-bit data serial interface II	SDI: In SDO: Out																																																																																															
1	1	1	0	4-wire 8-bit data serial interface II	SDI: In SDO: Out																																																																																																
3	IM1																																																																																																				
4	IM2																																																																																																				
5	IM3																																																																																																				
			MPU Parallel interface bus and serial interface select If use RGB Interface must select serial interface. * : Fix this pin at VDDI or VSS.																																																																																																		
6	RESET	I	Reset pin.																																																																																																		
7	VSYNC	I	Frame synchronizing signal for RGB interface operation. Fix to VDDI or VSS level when not in use.																																																																																																		
8	HSYNC	I	Line synchronizing signal for RGB interface operation. Fix to VDDI or VSS level when not in use.																																																																																																		
9	DOTCLK	I	Dot clock signal for RGB interface operation. Fix to VDDI or VSS level when not in use.																																																																																																		
10	ENABLE	I	Data enable signal for RGB interface operation. Fix to VDDI or VSS level when not in use.																																																																																																		
11~28	DB17~DB0	I/O	18-bit parallel bi-directional data bus for MCU system and RGB interface mode Fix to VSS level when not in use. Please refer to the IM[0:3] setting.																																																																																																		
29	SDO	O	Serial output signal. The data is outputted on the falling edge of the SCL signal. If not used, open this pin																																																																																																		
30	SDI	I	When IM[3] : Low, Serial in/out signal. When IM[3] : High, Serial input signal. The data is applied on the rising edge of the SCL signal. If not used, fix this pin at VDDI or VSS.																																																																																																		
31	RD	I	8080-I / 8080-II system (RDX): Serves as a read signal and MCU read data at the rising edge. Fix to VDDI or VSS level when not in use.																																																																																																		
32	RS/SCL	I	This pin is used to select "Data or Command" in the parallel interface or 4-wire 8-bit serial data interface. When RS = '1', data is selected. When RS = '0', command is selected. This pin is used serial interface clock in 3-wire 9-bit / 4-wire 8-bit serial data interface. If not used, this pin should be connected to VDDI or VSS.																																																																																																		
33	WR	I	- 8080-I / 8080-II system (WRX): Serves as a write signal and writes data at the rising edge. - 4-line system (D/CX): Serves as command or parameter select. Fix to VDDI or VSS level when not in use.																																																																																																		
34	CS	I	Chip select input pin ("Low" enable). This pin can be permanently fixed "Low" in MPU interface mode only.																																																																																																		

Pin no	Symbol	I/O	Description
35	FMARK	O	Tearing effect output pin to synchronize MPU to frame writing, activated by S/W command. When this pin is not activated, this pin is low. If not used, open this pin.
36	VCC	---	Power supply 2.8V
37	VCC	---	Power supply 2.8V
38	GND	---	Power ground 0V
39	GND	---	Power ground 0V
40	LED A	---	Backlight anode.
41	LED K	---	Backlight cathode K
42	NC (YD)	---	No connection (YD of touch screen)
43	NC (XR)	---	No connection (XR of touch screen)
44	NC (YU)	---	No connection (YU of touch screen)
45	NC (XL)	---	No connection (XL of touch screen)

## 6. Absolute Maximum Ratings

(Ta=25°C)

Item	Symbol	Min.	Max.	Unit
Power supply voltage	VCC	-0.3	+ 4.6	V
Logic signal input/output voltage	Vcc	-0.3	+ 4.6	V
Operating Temperature	TOP	-20	+70	°C
Storage Temperature	TST	-30	+80	°C

Note:

- When temperature is below 0°C, the response time of liquid crystal (LC) will be slower and the color of panel will be darker.
- If module driving condition exceeds the absolute maximum ratings, permanent damaged may be resulted. If module is driven within the absolute maximum ratings but exceeded the DC characteristics, mal-function may be resulted.
- VDD/VCC > VSS

## 7. Electrical Characteristics

### DC Characteristics

(Vss=0V, Ta=25°C)

Item	Symbol	Condition	Min.	Typ.	Max.	Unit
Power supply	VCC / VDD		2.5	2.8	3.3	V
Input voltage "H"	VIH	---	0.7 VCC	---	VCC	V
Input voltage "L"	VIL	---	VSS	---	0.3 VCC	V
Output voltage "H"	VOH	IOL=-1.0mA	0.8 VCC	---	VCC	V
Output voltage "L"	VOL	IOL=1.0mA	VSS	---	0.2 VCC	V

## 8. Display Controller /Power Supply Timing

See Display Controller Specification: **Ilitek ILI9340**

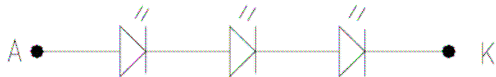


### 9. Backlight specification

(Vcc=2.8V, Vss=0V, Ta=25°C)

Item	Symbol	Condition	Min	Typ	Max	Unit	Note
Supply voltage	Vf	If=20mA	---	9.6	---	V	1
Forward current	If		---	---	20	mA	2
Uniformity	ΔBp		80	---	---	%	
Color coordination	X	If=45mA	0.260	---	0.310	---	
	Y		0.260	---	0.310	---	

LED circuit diagram:



Constant current If=20mA; Vf=9.6V(typ)

Note:

- 1) The LED's driver mode needs to be constant current mode.
- 2) Permanent damage to the device may occur if maximum values are exceeded. Functional operation should be restricted to the conditions described under normal operating conditions.

### 10. Optical Characteristics

(Vcc=2.8V, Vss=0V, Ta=25°C)

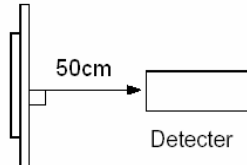
Item	Symbol	Condition	Min	Typ	Max	Unit	Note
Brightness	Bp	θ=0°	180	220	---	cd/m <sup>2</sup>	1
Uniformity	ΔBp	Φ=0°	80	---	---	%	1, 2
Viewing Angle	θ1 (Φ=90° or 270°)	Cr≥10	-70 ~ 50			deg	3
	θ2 (Φ=0° or 180°)		-70 ~ 70				
Contrast ratio	Cr	θ=0°	300	350	---	---	4
Response Time	Tr	Φ=0°	---	20	30	ms	5
	Tf						
CIE (x,y) Chromaticity	White	x	0.228	0.278	0.328	---	1, 6
		y	0.229	0.279	0.329		
	Red	x	0.531	0.581	0.631		
		y	0.270	0.320	0.370		
	Green	x	0.294	0.344	0.394		
		y	0.531	0.581	0.631		
	Blue	x	0.097	0.147	0.197		
		y	0.045	0.095	0.145		
NTSC Ratio	S	θ=0° Φ=0°	---	53	---	%	

Note 1: The data are measured after LEDs are turned on for 5 minutes. LCM displays full white.  
The brightness is the average value of 9 measured spots. Measurement equipment PR-705 (Φ8mm)

Measuring condition:

- Measuring surroundings: Dark room.
- Measuring temperature: Ta=25°C.
- Adjust operating voltage to get optimum contrast at the center of the display.

Measured value at the center point of LCD panel after more than 5 minutes while backlight turning on.

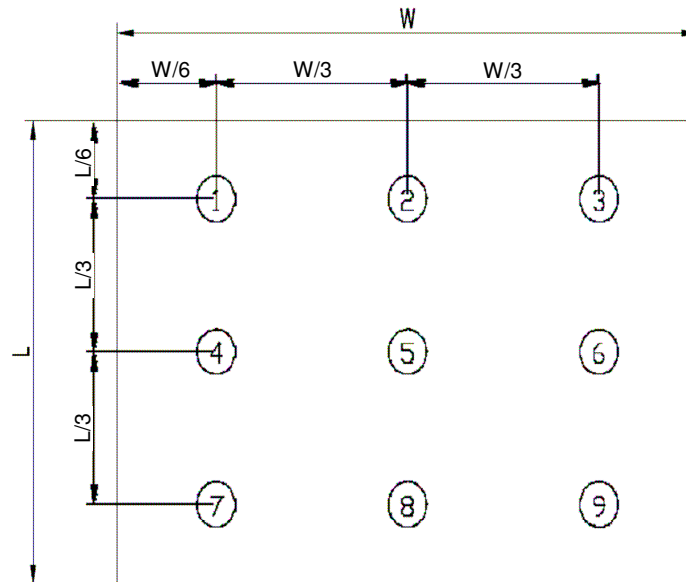


Note 2: The luminance uniformity is calculated by using following formula.

$$\Delta B_p = B_p (\text{Min.}) / B_p (\text{Max.}) \times 100 (\%)$$

Bp (Max.) = Maximum brightness in 9 measured spots

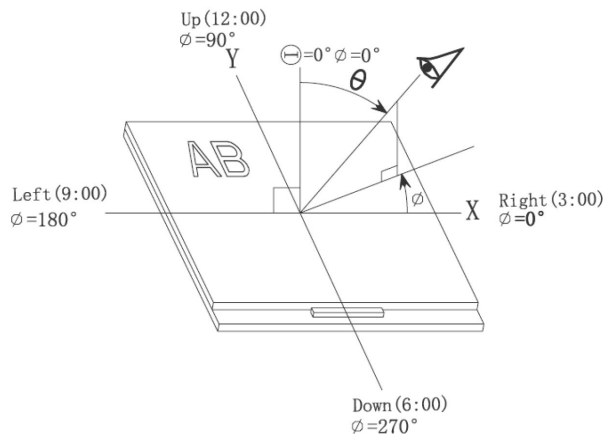
Bp (Min.) = Minimum brightness in 9 measured spots.



Measurement equipment PR-705 (Φ8mm)

Note 3: The definition of viewing angle:

Refer to the graph below marked by  $\theta$  and  $\Phi$



Note 4: The definition of contrast ratio (Test LCM using PR-705):

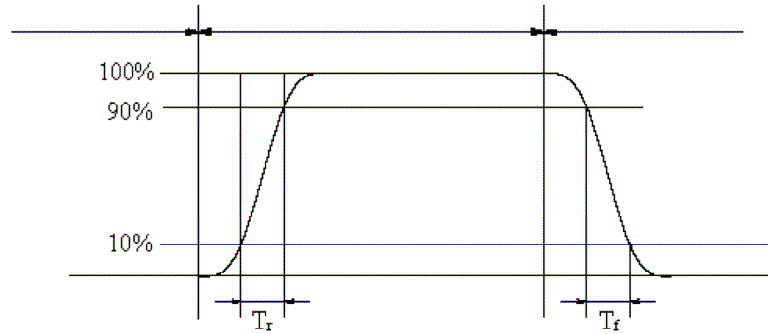
$$\text{Contrast Ratio (CR)} = \frac{\text{Luminance When LCD is at "White" state}}{\text{Luminance When LCD is at "Black" state}}$$

(Contrast Ratio is measured in optimum common electrode voltage)

Note 5: Definition of Response time. (Test LCD using DMS501):

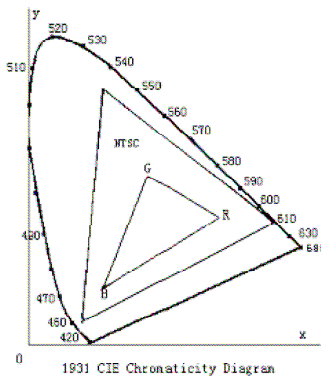
The output signals of photo detector are measured when the input signals are changed from "black" to "white" (falling time) and from "white" to "black" (rising time), respectively.

The response time is defined as the time interval between the 10% and 90% of amplitudes. Refer to figure as below.



The definition of response time

Note 6: Definition of Color of CIE Coordinate and NTSC Ratio.



**Color gamut:**

$$S = \frac{\text{area of RGB triangle}}{\text{area of NTSC triangle}} \times 100\%$$

## 11. Safety Precaution

### Handling precautions:

- This device is susceptible to Electro-Static Discharge (ESD) damage. Observe Anti-Static precautions.

### Power supply precautions:

- Identify and, at all times, observe absolute maximum ratings for both logic and LC drivers. Note that there is some variance between models.
- Prevent the application of reverse polarity to VCC and GND, however briefly.
- Use a clean power source free from transients. Power up conditions are occasionally “jolting” and may exceed the maximum ratings of the modules.
- The VCC power of the module should also supply the power to all devices that may access the display. Don't allow the data bus to be driven when the logic supply to the module is turned off.

### Operating precautions:

- DO NOT plug or unplug the module when the system is powered up.
- Minimize the cable length between the module and host MPU.
- Operate the module within the limits of the modules temperature specifications.

### Mechanical/Environmental precautions:

- Improper soldering is the major cause of module difficulty. Use of flux cleaner is not recommended as they may seep under the elastomeric connection and cause display failure.
- Mount the module so that it is free from torque and mechanical stress.
- Surface of the LCD panel should not be touched or scratched. The display front surface is an easily scratched, plastic polarizer. Avoid contact and clean only when necessary with soft, absorbent cotton dampened with petroleum benzene.
- Always employ anti-static procedure while handling the module.
- Prevent moisture build-up upon the module and observe the environmental constraints for storage temperature and humidity.
- Do not store in direct sunlight
- If leakage of the liquid crystal material should occur, avoid contact with this material, particularly ingestion. If the body or clothing becomes contaminated by the liquid crystal material, wash thoroughly with water and soap