

SPECIFICATION FOR APPROVAL

ITEM : 5" TFT LCD Module

MODEL NO : BS500TS

CUSTOMER : _____

DATE : Oct 10, 2006

NO : BSEC061010-01

DESCRIBED	CHECKED	APPROVED

CONTENTS

1. GENERAL FEATURES	----- PAGE 3
2. SPECIFICATIONS	----- PAGE 4
3. DIMENSIONS	----- PAGE 5
4. BLOCK DIAGRAM	----- PAGE 6
5. CONNECTION DIAGRAM	----- PAGE 7
6. WIRE DIAGRAM	----- PAGE 8

1. GENERAL FEATURES

FEATURES

- 1-1. Active matrix color TFT LCD module
- 1-2. Thin and light weight
- 1-3. Low power consumption
- 1-4. Best quality image
- 1-5. Composite video input signal

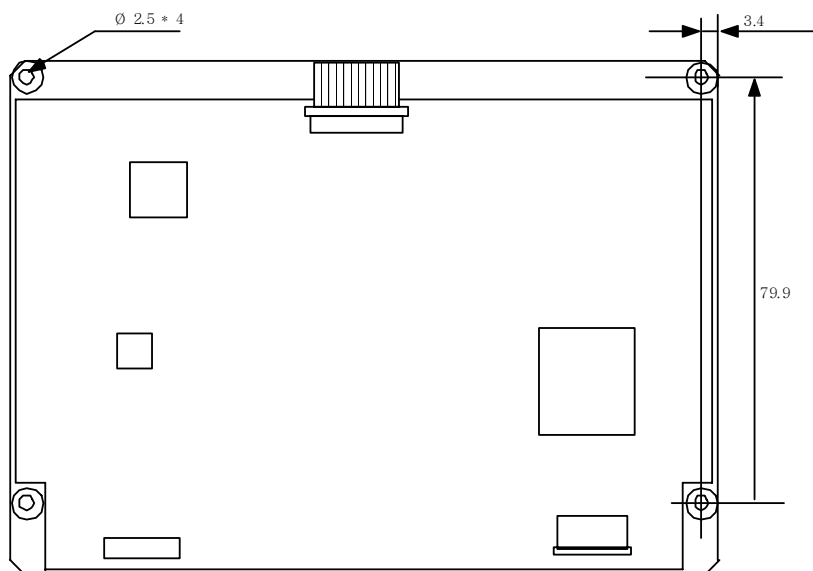
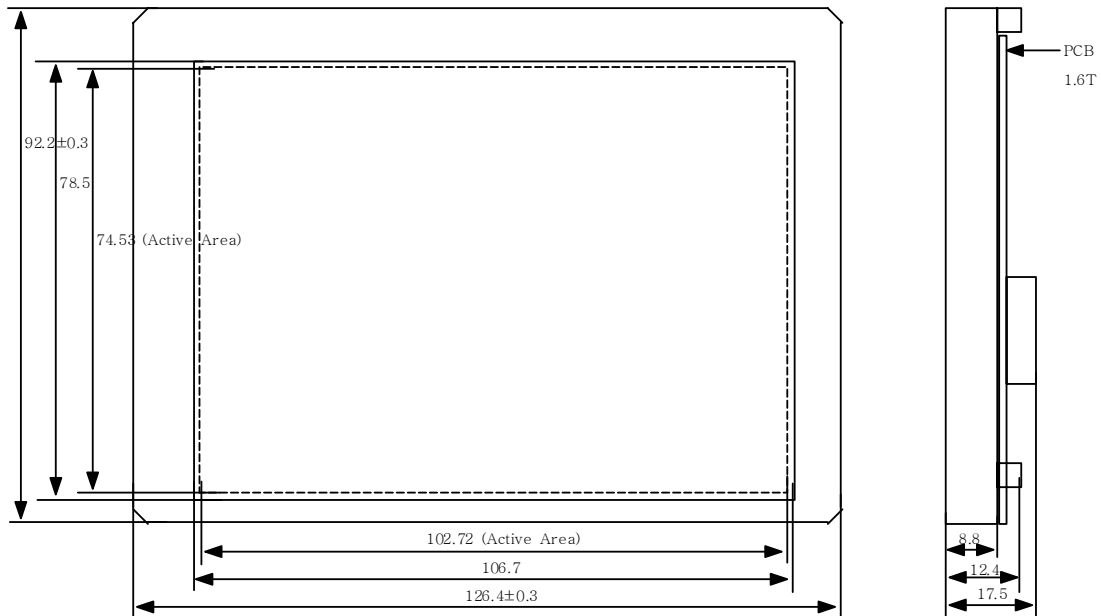
APPLICATIONS

- 2-1. Color Video Door Entry system
- 2-2. CCTV Monitor
- 2-3. Car rear view monitor
- 2-4. Surveillance system

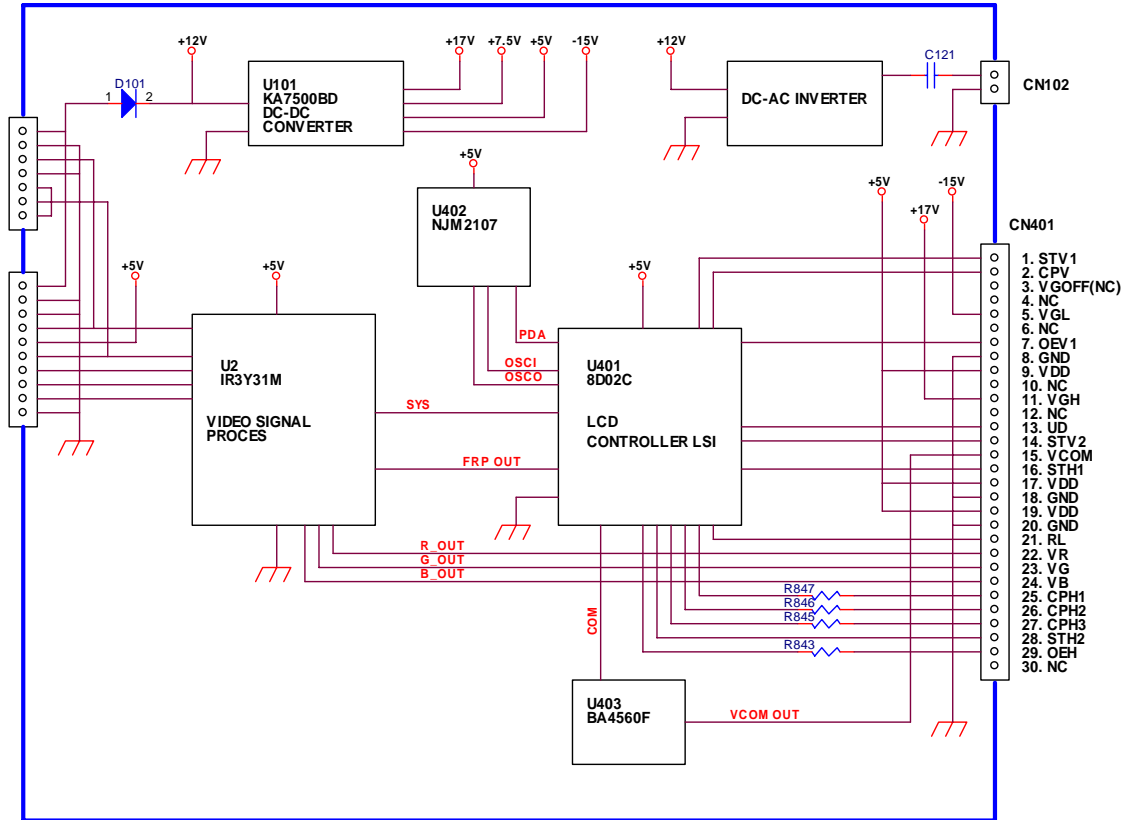
2. SPECIFICATIONS

No.	Items	Specification	Remark
1	Display size	Diagonal 5 Inches	
2	Dot pitch	0.107(H) * 0.318(V) mm	
3	Number of pixels	320(H) * RGB * 234(V)	
4	Pixel arrangement	RGB vertical stripe	
6	Input signal	PAL/NTSC (option)	
7	Input signal level	1.0Vp-p, 75 Ohm	
8	Viewing angle (at 6 o'clock)	H : 20 DEG L : 55 DEG L & R : 45 DEG	
9	Luminance	TYP. 250(cd)	
10	Operating temperature	-10 ~ 60℃ 95%RH	
11	Storage temperature	-20 ~ 70℃ 95%RH	
12	Input voltage	DC12V±5%, 420mA±10%	
13	Dimensions	126.4(H) * 92.2(V) * 17.5(D)	
14	Weight	APPX. 195(g)	

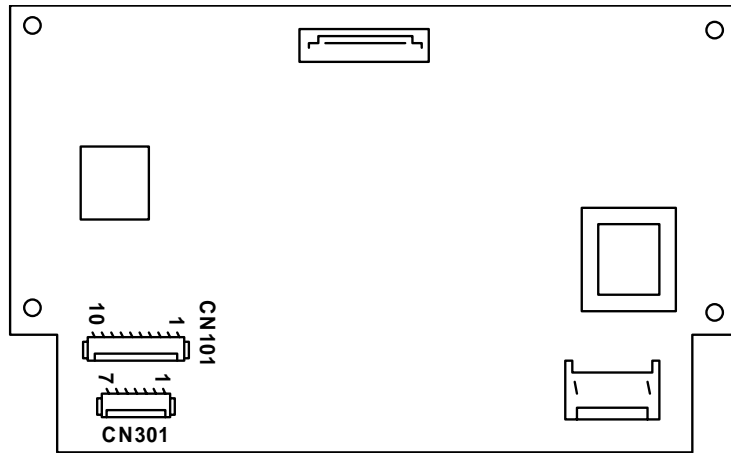
3. DEMENSIONS



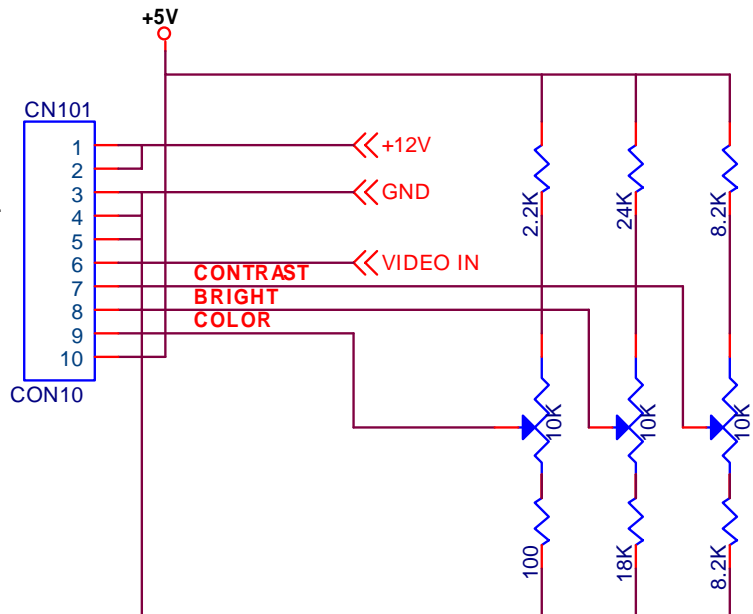
4. BLOCK DIAGRAM



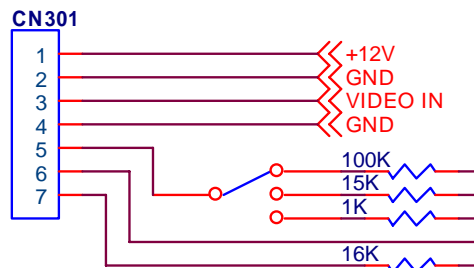
5. CONNECTION DIAGRAM



A TYPE - OUTSIDE VOLUME CONTROL (CN1)
1. BRIGHT
2. COLOR
3. CONTRAST
4. TINT - NTSC ONLY



B TYPE - OUTSIDE VOLUME CONTROL (CN2)
1. BRIGHTNESS ONLY



6. WIRE DIAGRAM

