

SPECIFICATION FOR APPROVAL

ITEM : 2.5" TFT LCD Module

MODEL NO : BS250UL

CUSTOMER : _____

DATE : MAR 14, 2005

NO : BSEC050314-01

DESCRIBED	CHECKED	APPROVED

CONTENTS

1. GENERAL FEATURES -----	PAGE 3
2. SPECIFICATIONS -----	PAGE 4
3. DIMENSIONS -----	PAGE 5
4. BLOCK DIAGRAM -----	PAGE 6
5. CONNECTION DIAGRAM -----	PAGE 7
6. DATA SHEETS FOR MAIN COMPONENTS -----	PAGE 8

1. GENERAL FEATURES

FEATURES

- 1-1. ACTIVE MATRIX COLOR TFT LCD MODULE
- 1-2. COMPACT SIZE (DIAGONAL 2.5 INCH)
- 1-3. LOW POWER CONSUMPTION
- 1-4. BEST QUALITY IMAGE
- 1-5. COMPOSITE REGULATED & R.G.B VIDEO INPUT SIGNAL

APPLICATIONS

- 2-1. COLOR VIDEO DOOR ENTRY SYSTEM
- 2-2. COLOR VIDEO PHONE
- 2-3. CAR REAR VIEW MONITOR
- 2-4. SURVEILLANCE SYSTEM

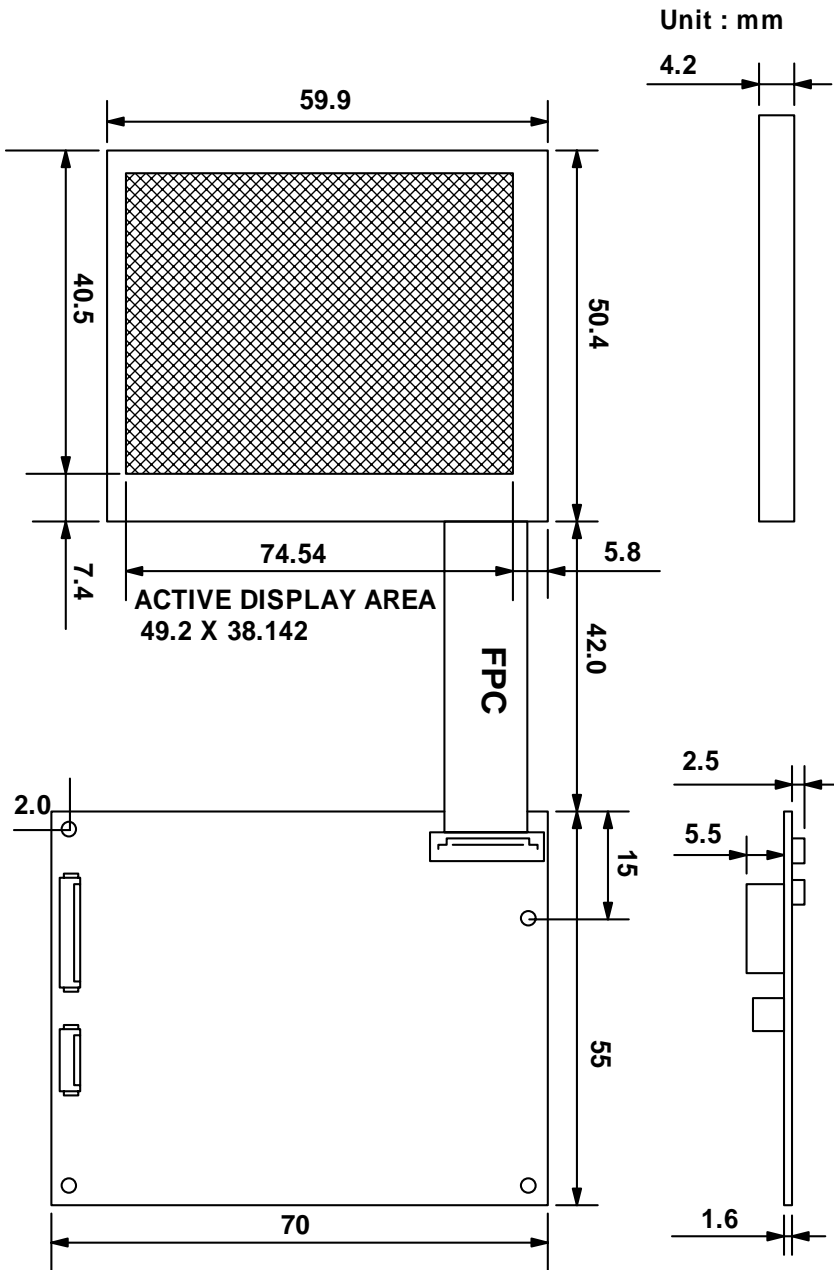
2. SPECIFICATIONS

1	DISPLAY SIZE	DIAGONAL 2.5 INCH	REMARK
2	DOT PITCH	0.1025(W) * 0.163(H)	
3	DOT FORMAT	480(W) * 234(H)	
4	PIXELS ARRANGEMENT	RGB DELTA CONFIGURATION	
5	DISPLAY METHOD	TFT ACTIVE MATRIX SYSTEM	
6	INPUT SIGNAL	PAL/NTSC (OPTION)	
7	INPUT SIGNAL LEVEL	1.3Vp-p, 120 Ohm	
8	VIEWING ANGLE	TOP : 10 DEG BOTTOM : 30 DEG LEFT & LIGHT : 45 DEG	NOTE 1
9	BRIGHTNESS	TYP. 250(cd)	
10	OPERATING TEMPERATURE	0 ~ 60 95%RH	
11	STORAGE TEMPERATURE	-25 ~ 80 95%RH	
12	INPUT VOLTAGE	DC12V ± 5%, 120mA ± 10%	
13	DIMENSION	59.9(W) * 50.4(H) * 4.2(D)	NOTE 2
14	WEIGHT	APPX. 40(g)	

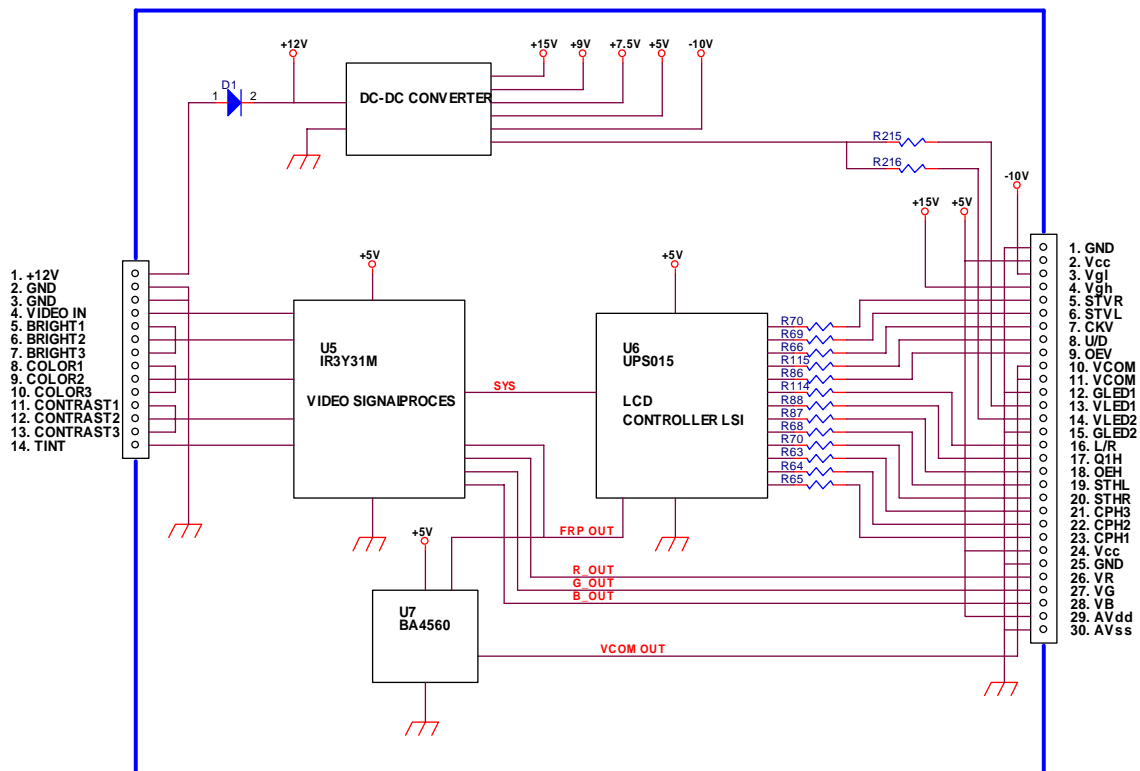
NOTE 1. REFER TO THE ATTACHED PANEL SPEC A025CN03.

NOTE 2. THE DIMENSIONS ARE WITHOUT DRIVE BOARD.

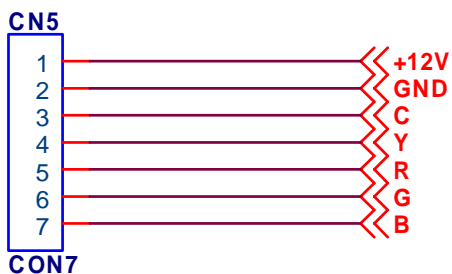
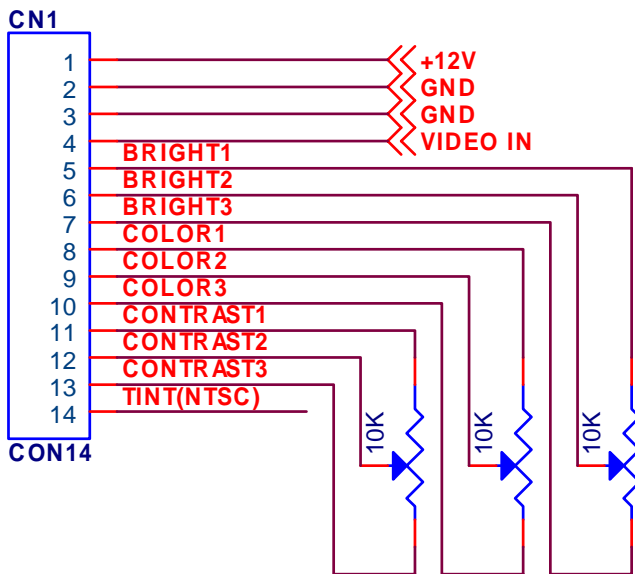
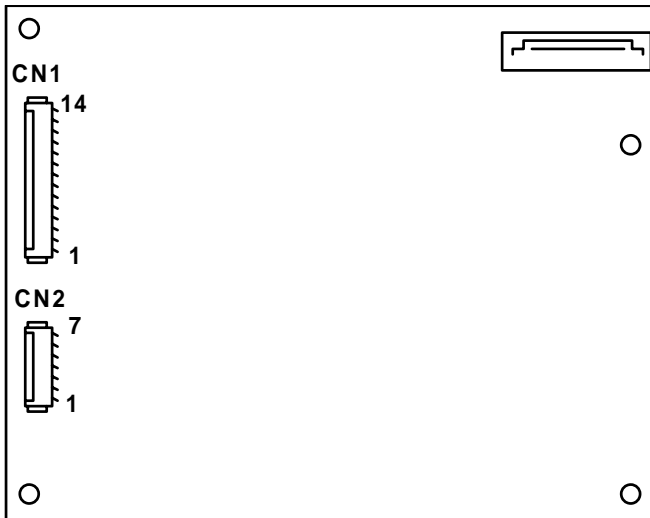
3. DEMENSIONS



4. BLOCK DIAGRAM



5. CONNECTION DIAGRAM



CN5 : S_Video INPUT (#1,#2,#3,#4,) - (R213-OPEN)

CN5 : R.G.B INPUT (#1,#2,#4,#5,#6,#7) - (R51-OPEN, R210-10K)

6. DATA SHEETS FOR MAIN COMPONENTS

6-1. LCD PANEL: A025CN03

Spec. No.	
Doc. version:	0
Total pages:	19
Date	: 2003/06/10

Product Specification

2.5" COLOR TFT-LCD MODULE

MODEL NAME: A025CN03 V1

< ◆ > Preliminary Specification
< > Final Specification

Note: The content of this specification is subject to change without prior notice.

© 2003 AU Optronics
All Rights Reserved.

Contents:

A. Physical specifications	P3
B. Electrical specifications	P4
1. Pin assignment.....	P4
a. TFT-LCD panel driving section.....	P4
b. Backlight driving section.....	P5
2. Absolute maximum ratings.....	P5
3. Electrical characteristics.....	P6
a. Typical operating conditions.....	P6
b. Current consumption.....	P6
c. Backlight driving conditions.....	P6
4. AC Timing.....	P7
a. Timing conditions.....	P7
b. Timing diagram.....	P7
C. Optical specifications	P8
D. Reliability test items	P10
E. Packing form	P11

Appendix:

Fig.1 Outline dimension of TFT-LCD module.....	P12
Fig.2 Sampling clock timing.....	P13
Fig.3 Horizontal display timing range.....	P14
Fig.4-(a) Horizontal timing.....	P15
Fig.4-(b) Detail horizontal timing.....	P16
Fig.5 Vertical shift clock timing.....	P17
Fig.6-(a) Vertical timing (From up to down).....	P18
Fig.6-(b) Vertical timing (From down to up).....	P19

A. Physical specifications

NO.	Item	Specification	Remark
1	Display resolution (dot)	480(W)×234(H)	
2	Active area (mm)	49.2(W)×38.142(H)	
3	Screen size (inch)	2.45(Diagonal)	
4	Dot pitch (mm)	0.1025(W)×0.163(H)	
5	Color configuration	R. G. B. delta	
6	Overall dimension (mm)	59.9(W)×50.4(H)×4.2(D)	Note 1
7	Weight (g)	TBD	

Note 1: Refer to Fig. 1

B. Electrical specifications

Pin No.	Symbol	I/O	Description	Remark
01	GND		Ground for logic circuit	
02	VCC		Supply voltage of logic control circuit for scan driver	
03	VGL	I	Negative power for scan driver	
04	VGH	I	Positive power for scan driver	
05	STVR	I/O	Vertical start pulse	
06	STVL	I/O	Vertical start pulse	
07	CKV	I	Shift clock input for scan driver	
08	U/D	I	Up/Down scan control input	
09	OEV	I	Output enable input for scan driver	
10	VCOM	I	Common electrode driving signal	
11	VCOM	I	Common electrode driving signal	
12	GLED1		LED module 1 Cathode	
13	VLED1		LED module 1 Anode	
14	VLED2		LED module 2 Anode	
15	GLED2		LED module 2 Cathode	
16	L/R	I	Left/Right scan control input	
17	Q1H	I	Analog signal rotate input	
18	OEH	I	Output enable input for data driver	
19	STHL	I/O	Start pulse for horizontal scan line	
20	STHR	I/O	Start pulse for horizontal scan line	
21	CPH3	I	Sampling and shifting clock pulse for data driver	
22	CPH2	I	Sampling and shifting clock pulse for data driver	
23	CPH1	I	Sampling and shifting clock pulse for data driver	
24	DVDD		Supply voltage of logic control for data driver	
25	DVSS		Ground for logic circuit	
26	VA	I	Alternated video signal input (Red)	
27	VB	I	Alternated video signal input (Green)	
28	VC	I	Alternated video signal input (Blue)	
29	AVDD		Supply voltage for analog circuit	
30	AVSS		Ground for analog circuit	

1. Pin assignment

a. TFT-LCD panel driving section

Note 1 : Selection of scanning mode

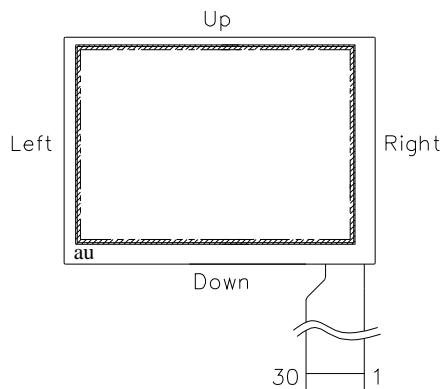
Setting of scan control input		IN/OUT state For start pulse				Scanning direction
U/D	L/R	STVR	STVL	STHR	STHL	
GND	V _{CC}	OUT	IN	OUT	IN	From up to down, and from left to right.
V _{CC}	GND	IN	OUT	IN	OUT	From down to up, and from right to left.

GND	GND	OUT	IN	IN	OUT	From up to down, and from right to left.
V _{CC}	V _{CC}	IN	OUT	OUT	IN	From down to up, and from left to right.

IN: Input; OUT: Output.

Note 2 : Definition of scanning direction.

Refer to figure as below:



b. LED driving conditions(Refer to Fig.1)

Parameter	Symbol	Min.	Typ.	Max.	Unit	Remark
LED current			20		mA	
LED voltage	V _L		(15)		V	
LED Life Time	L _L	(10000)			Hr	Note 1,2

Note 1 : T_a. = 25°C, I_L = 20mA

Note 2 : Brightness to be decreased to 50% of the initial value.

2. Absolute maximum ratings

Item	Svmbol	Condition	Min.	Max.	Unit	Remark
Power voltage	V _{CC}	GND=0	-0.3	7	V	
	AV _{DD}	AV _{SS} =0	-0.3	7	V	
	V _{GH}	GND=0	-0.3	18	V	
	V _{GL}		-18	0.3	V	
	V _{GH} -V _{GL}		-	36	V	
Input signal voltage	V _i		-0.3	AV _{DD} +0.3	V	Note 1
	V _I		-0.3	V _{CC} +0.3	V	Note 2
	VCOM		-2.9	5.2	V	
Operating temperature	Topa		0	60	°C	Ambient temperature
Storage temperature	Tstg		-25	80	°C	Ambient temperature

Note 1: VR, VG, VB

Note 2: STHL, STHR, Q1H,OEH,L/R,CPH1~CPH3, STVR, STVL,OEV,CKV,U/D.

3. Electrical characteristics

a. Typical operating conditions (GND=AVss=0V)

Item	Symbol	Min.	Typ.	Max.	Unit	Remark
Power supply	V _{CC}	3	5	5.2	V	
	AV _{DD}	4.5	5	5.2	V	
	V _{GH}	14.3	15	15.7	V	
	V _{GLAC}	3.5	5	7.5	Vp-p	AC component of V _{GL} . Note 1
	V _{GL-H}	-10	-9.5	-9	V	High level of V _{GL} .
Video signal Amplitude (VR, VG, VB)	V _{iA}	AV _{SS} +0.4	-	AV _{DD} -0.4	V	Note 2
	V _{iAC}	-	3	-	V	AC component
	V _{iDC}	-	AV _{DD} /2	-	V	DC component
VCOM	V _{CAC}	3.5	5	7.5	Vp-p	AC component, Note 3
	V _{CDC}	0.95	1.1	1.25	V	DC component
Input Signal voltage	H Level	V _{IH}	0.8 V _{CC}	-	V _{CC}	Note 4
	L Level	V _{IL}	0	-	0.2 V _{CC}	

Note 1: The same phase and amplitude with common electrode driving signal(VCOM).

Note 2: Refer to Fig.4-(a)

Note 3: The brightness of LCD panel could be adjusted by the adjustment of the AC component of VCOM.

Note 4: STHL, STHR, Q1H, OEH, L/R, CPH1~CPH3, STVR, STVL, OEV, CKV, U/D.

Note 5: Be sure to apply GND, V_{CC}, V_{GL} to the LCD first, and then apply V_{GH}.

b. Current consumption (GND=AVss=0V)

Parameter	Symbol	Condition	Min.	Typ.	Max.	Unit	Remark
Current for driver	I _{GH}	V _{GH} =15V	-	50	100	μA	
	I _{GL}	V _{GL-H} =-10V	-	-0.3	-0.6	mA	
	I _{CC}	V _{CC} =5V	-	1.5	4	mA	
	I _{DD}	AV _{DD} =5V	-	5	10	mA	

c. Backlight driving conditions

Parameter	Symbol	Min.	Typ.	Max.	Unit	Remark
LED current	I _L		(20)		mArms	
LED voltage	V _L		15		Vrms	Note 1
Backlight Life		(10000)			Hr	Note 1, 2

Note 1 : Ta. = 25°C, I_L = 20mA

The voltage (VL) is dependent on customer design for serial or parallel consideration of 4 LEDs.

Note 2 : Brightness to be decreased to 50% of the initial value.

4. AC Timing

a. Timing conditions

Parameter	Symbol	Min.	Typ.	Max.	Unit.	Remark
-----------	--------	------	------	------	-------	--------

Rising time	t_r	-	-	10	ns	Note 1
Falling time	t_f	-	-	10	ns	Note 1
High and low level pulse width	t_{CPH}	299	308	319	ns	CPH1~CPH3
CPH pulse duty	t_{CWH}	40	50	60	%	CPH1~CPH3
CPH pulse delay	t_{C12} t_{C23} t_{C31}	70	$t_{CPH}/3$	$t_{CPH}/2$	ns	CPH1~CPH3
STH setup time	t_{SUH}	35	-	-	ns	STHR,STHL
STH hold time	t_{HDH}	35	-	-	ns	STHR,STHL
STH pulse width	t_{STH}	-	1	-	t_{CPH}	STHR,STHL
STH period	t_H	61.5	63.5	65.5	μs	STHR,STHL
OEH pulse width	t_{OEH}	-	3	-	t_{CPH}	OEH
Sample and hold disable time	t_{DIS1}	-	28	-	t_{CPH}	
OEV pulse width	t_{OEV}	-	12	-	t_{CPH}	OEV
CKV pulse width	t_{CKV}	16	28	40	t_{CPH}	CKV
Clean enable time	t_{DIS2}	-	10	-	t_{CPH}	
Horizontal display start	t_{SH}	-	0	-	$t_{CPH}/3$	
Horizontal display timing range	t_{DH}	-	480	-	$t_{CPH}/3$	
STV setup time	t_{SUV}	400	-	-	ns	STVL,STVR
STV hold time	t_{HDV}	400	-	-	ns	STVL,STVR
STV pulse width	t_{STV}	-	-	1	t_H	STVL,STVR
Horizontal lines per field	t_V	256	262	268	t_H	Note 2
Vertical display start	t_{SV}	-	3	-	t_H	
Vertical display timing range	t_{DV}	-	234	-	t_H	
VCOM rising time	t_{rCOM}	2	-	3	μs	
VCOM falling time	t_{fCOM}	2	-	3	μs	
VCOM delay time	t_{DCOM}	-	-	3	μs	
RGB delay time	t_{DRGB}	-	-	1	μs	

Note 1: For all of the logic signals.

Note 2: Please don't use odd horizontal lines to drive LCD panel for both odd and even fields simultaneously.

b. Timing diagram

Please refer to the attached drawings, from Fig.2 to Fig.6.

C. Optical specification (Note 1, Note 2, Note 3)

Item	Symbol	Condition	Min.	Typ.	Max.	Unit	Remark
Response time	Rise	$\theta = 0^\circ$	-	20	30	ms	Note 4, 6
	Fall		-	30	40	ms	
Contrast ratio	CR	At optimized viewing angle	100	150	-		Note 5, 6
Viewing angle	Top	$CR \geq 10$	10	-	-	deg.	Note 6, 7
	Bottom		30	-	-		
	Left		45	-	-		
	Right		45	-	-		
Brightness	Y_L	$\theta = 0^\circ$	200	250	-	nit	Note 8
White chromaticity	X	$\theta = 0^\circ$	0.26	0.31	0.36		Note 8
	y		0.3	0.35	0.4		

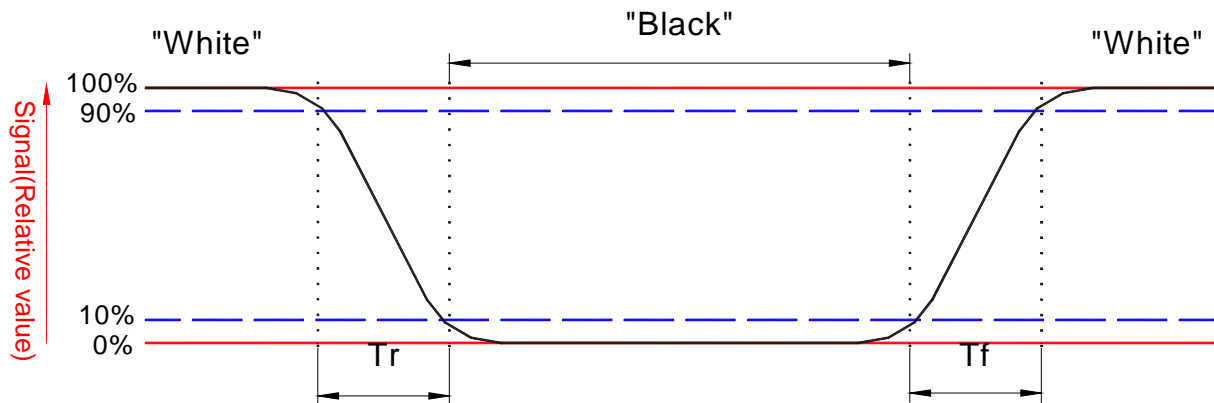
Note 1. Ambient temperature = 25°C. and lamp current $I_L = 2.7\text{mA}$ rms.

Note 2. To be measured in the dark room.

Note 3. To be measured at the center area of panel with a viewing cone of 1° by Topcon luminance meter BM-7, after 10 minutes operation.

Note 4. Definition of response time:

The output signals of photodetector are measured when the input signals are changed from "black" to "white" (falling time) and from "white" to "black" (rising time), respectively. The response time is defined as the time interval between the 10% and 90% of amplitudes. Refer to figure as below.



Note 5. Definition of contrast ratio:

Contrast ratio is calculated with the following formula.

$$\text{Contrast ratio (CR)} = \frac{\text{Photodetector output when LCD is at "White" state}}{\text{Photodetector output when LCD is at "Black" state}}$$

Note 6. White $V_i = V_{i50} \bar{+} 1.5V$

Black $V_i = V_{i50} \pm 2.0V$

“±” means that the analog input signal swings in phase with COM signal.

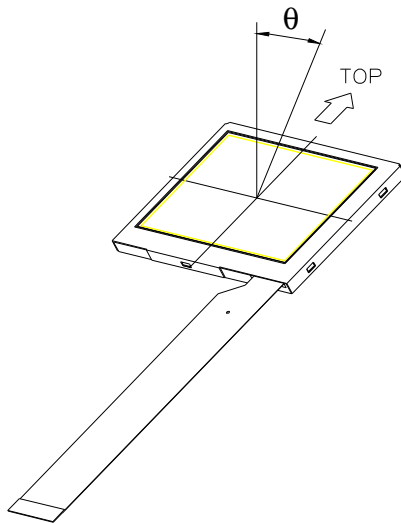
“ $\bar{+}$ ” means that the analog input signal swings out of phase with COM signal.

V_{i50} : The analog input voltage when transmission is 50%

The 100% transmission is defined as the transmission of LCD panel when all the input terminals of module are electrically opened.

Note 7. Definition of viewing angle:

Refer to figure as below.



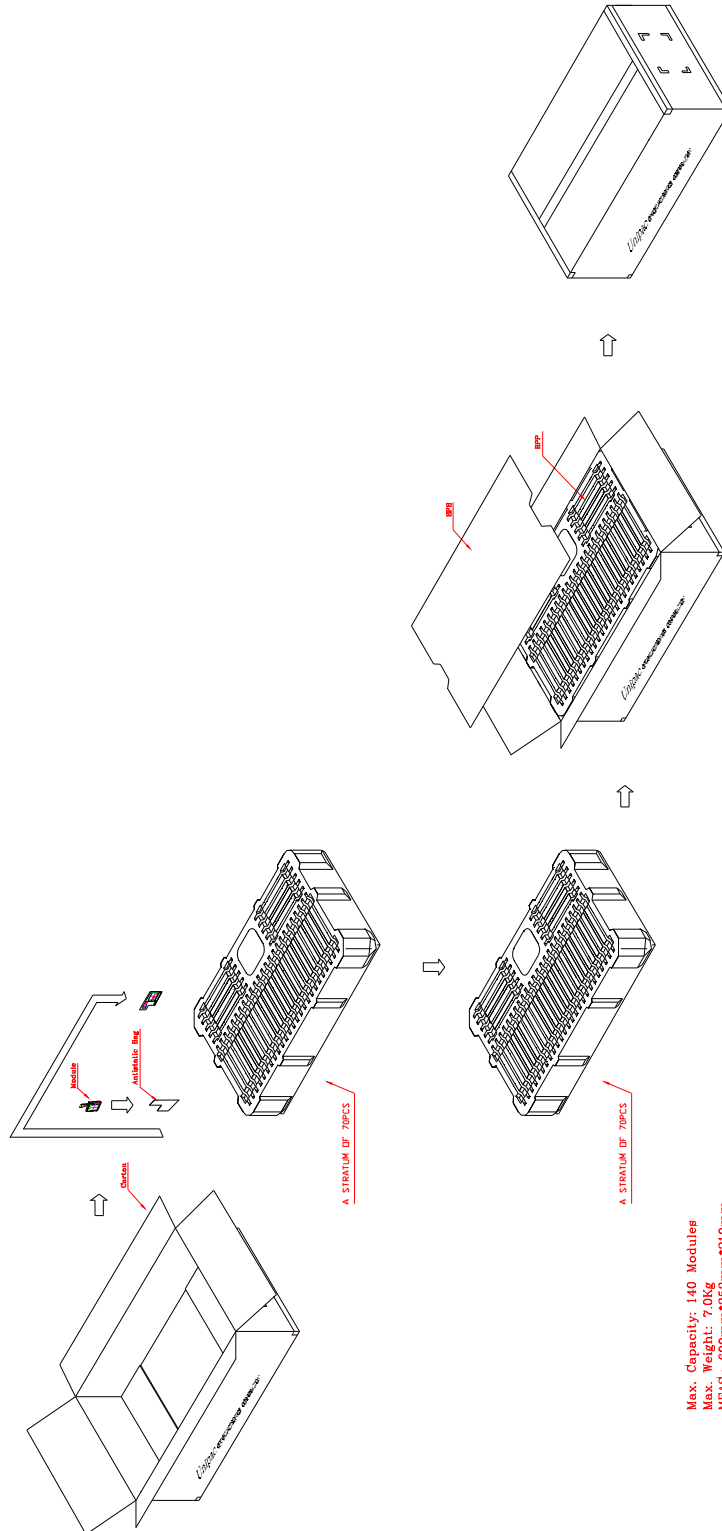
Note 8. Measured at the center area of the panel when all the input terminals of LCD panel are electrically opened.

D. Reliability test items:

No.	Test items	Conditions	Remark
1	High temperature storage	Ta= 80°C 240H	
2	Low temperature storage	Ta= -25°C 240H	
3	High temperature operation	Ta= 60°C 240H	
4	Low temperature operation	Ta= 0°C 240H	
5	High temperature and high humidity	Ta= 60°C . 95% RH 240H	Operation
6	Heat shock	-25°C ~80°C /50 cycle 2H/cycle	Non-operation
7	Electrostatic discharge	±200V,200pF(0Ω), once for each terminal	Non-operation
8	Vibration	Frequency range : 10~55Hz Stoke : 1.5mm Sweep : 10~55Hz~10Hz 2 hours for each direction of X,Y,Z (6 hours for total)	JIS C7021, A-10 condition A
9	Mechanical shock	100G . 6ms, ±X,±Y,±Z 3 times for each direction	JIS C7021, A-7 condition C
10	Vibration (with carton)	Random vibration: 0.015G ² /Hz from 5~200Hz -6dB/Octave from 200~500Hz	IEC 68-34
11	Drop (with carton)	Height: 80cm 1 corner, 3 edges, 6 surfaces	

Note: Ta: Ambient temperature.

E.Packing form



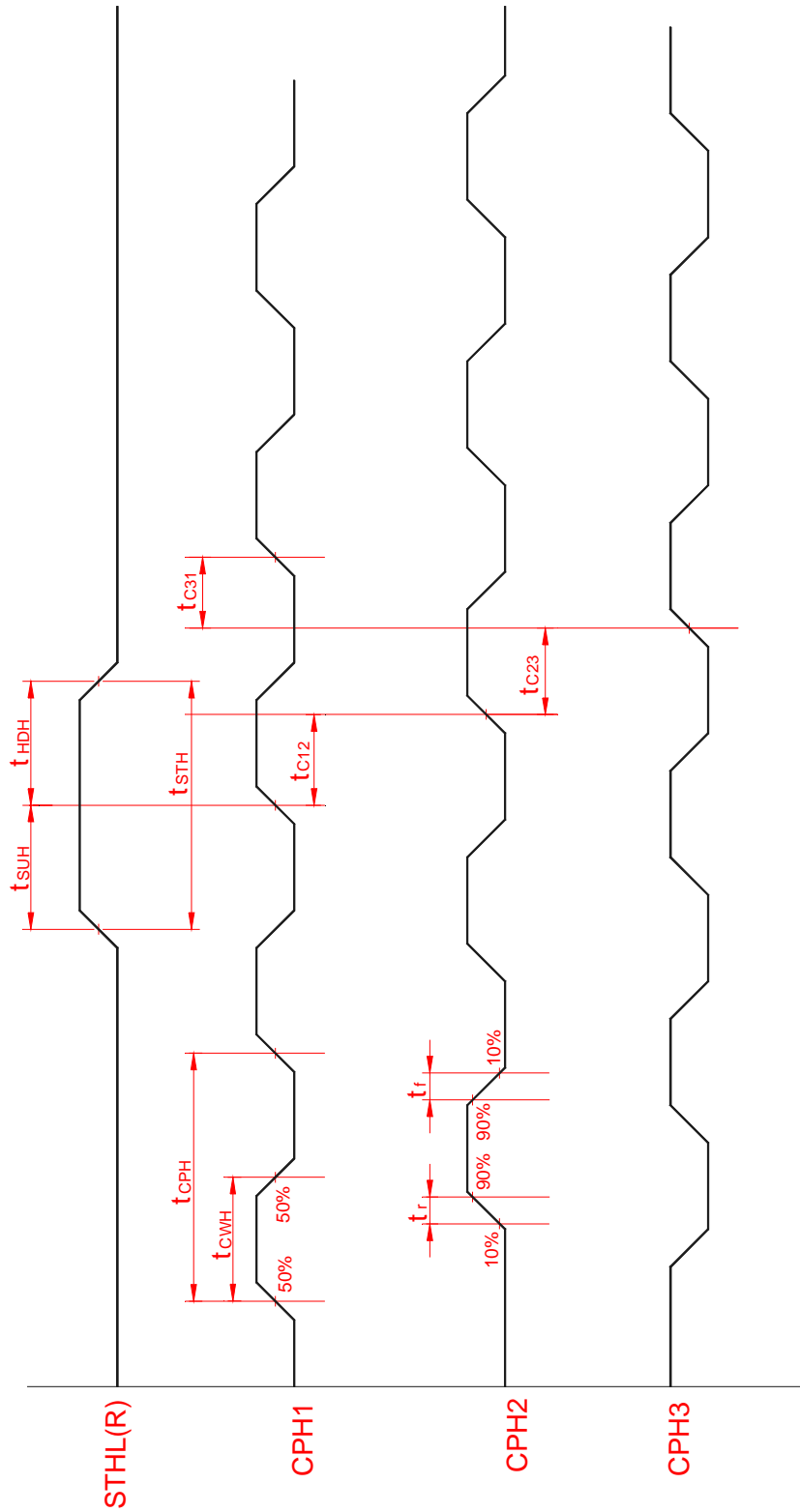


Fig.2 Sampling clock timing

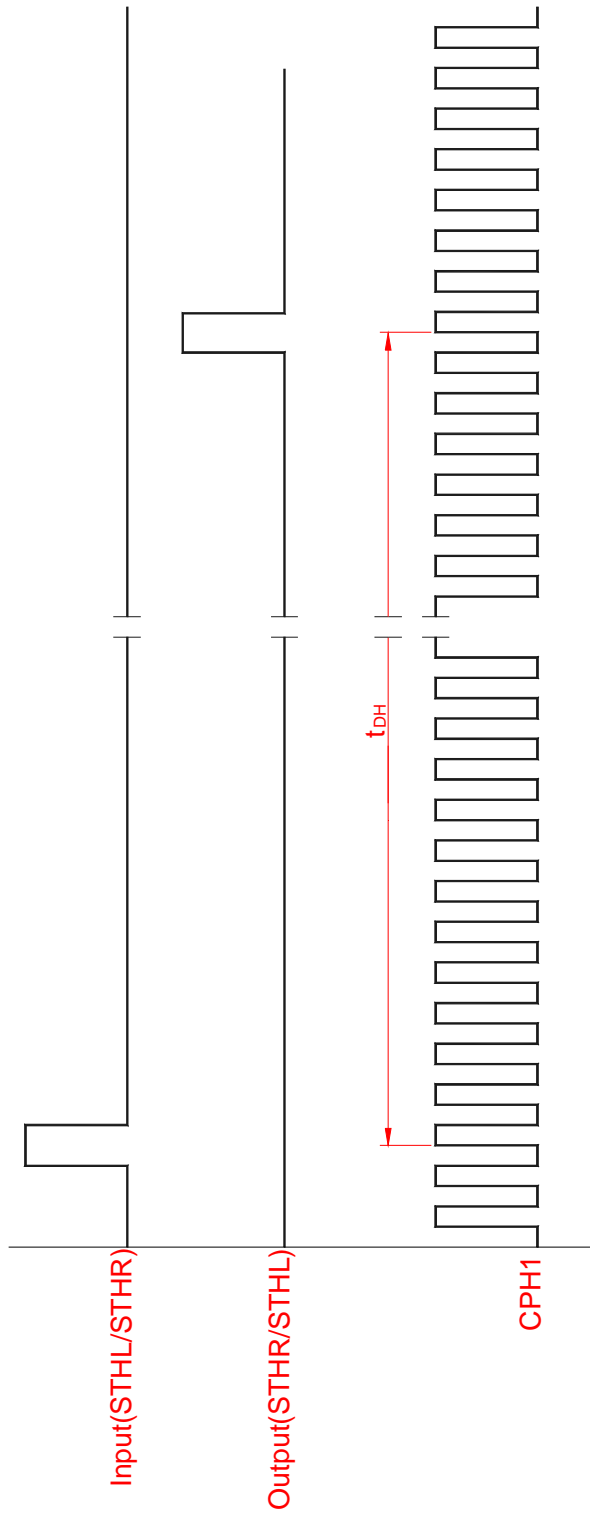


Fig.3 Horizontal display timing range

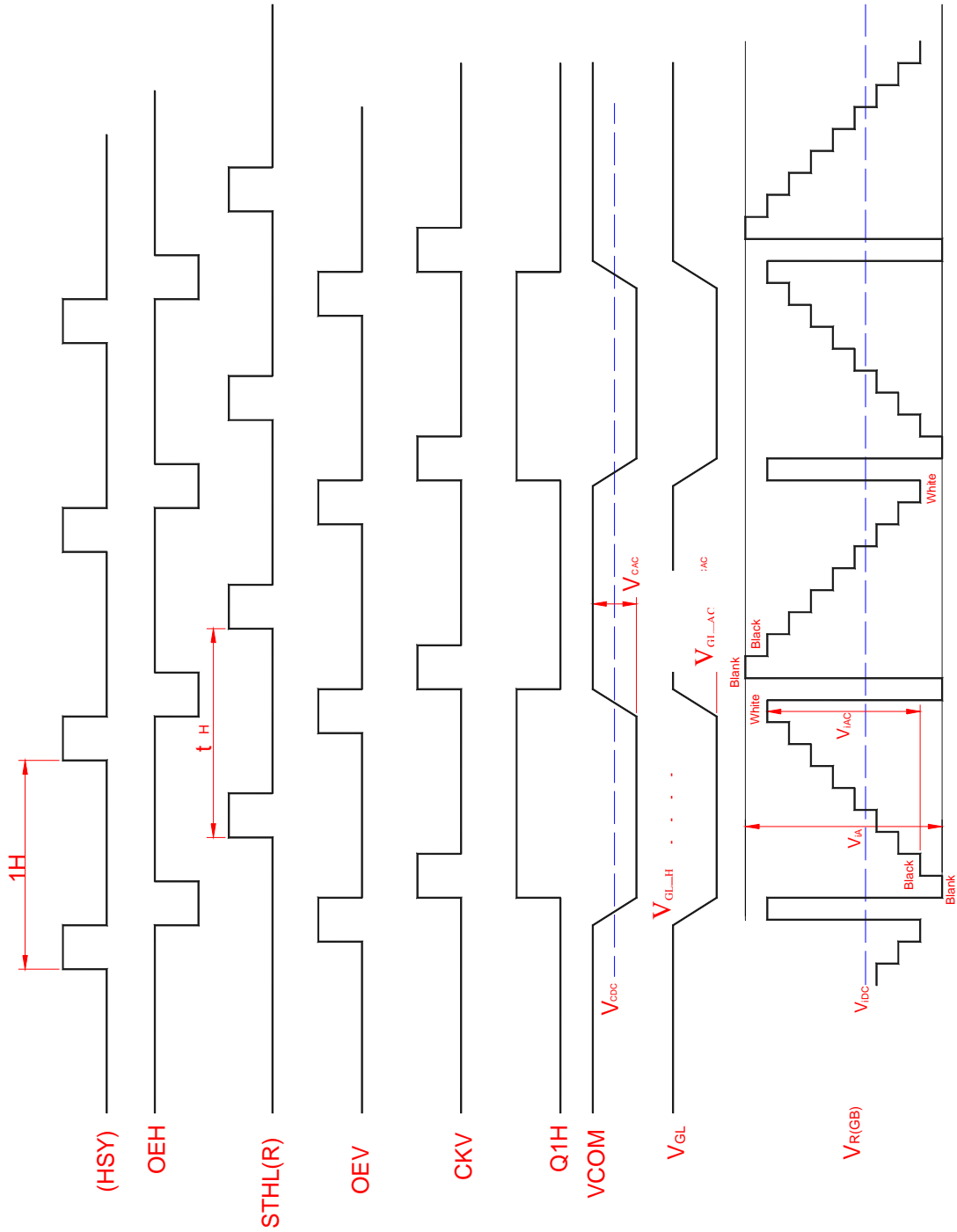


Fig.4(a) Horizontal timing

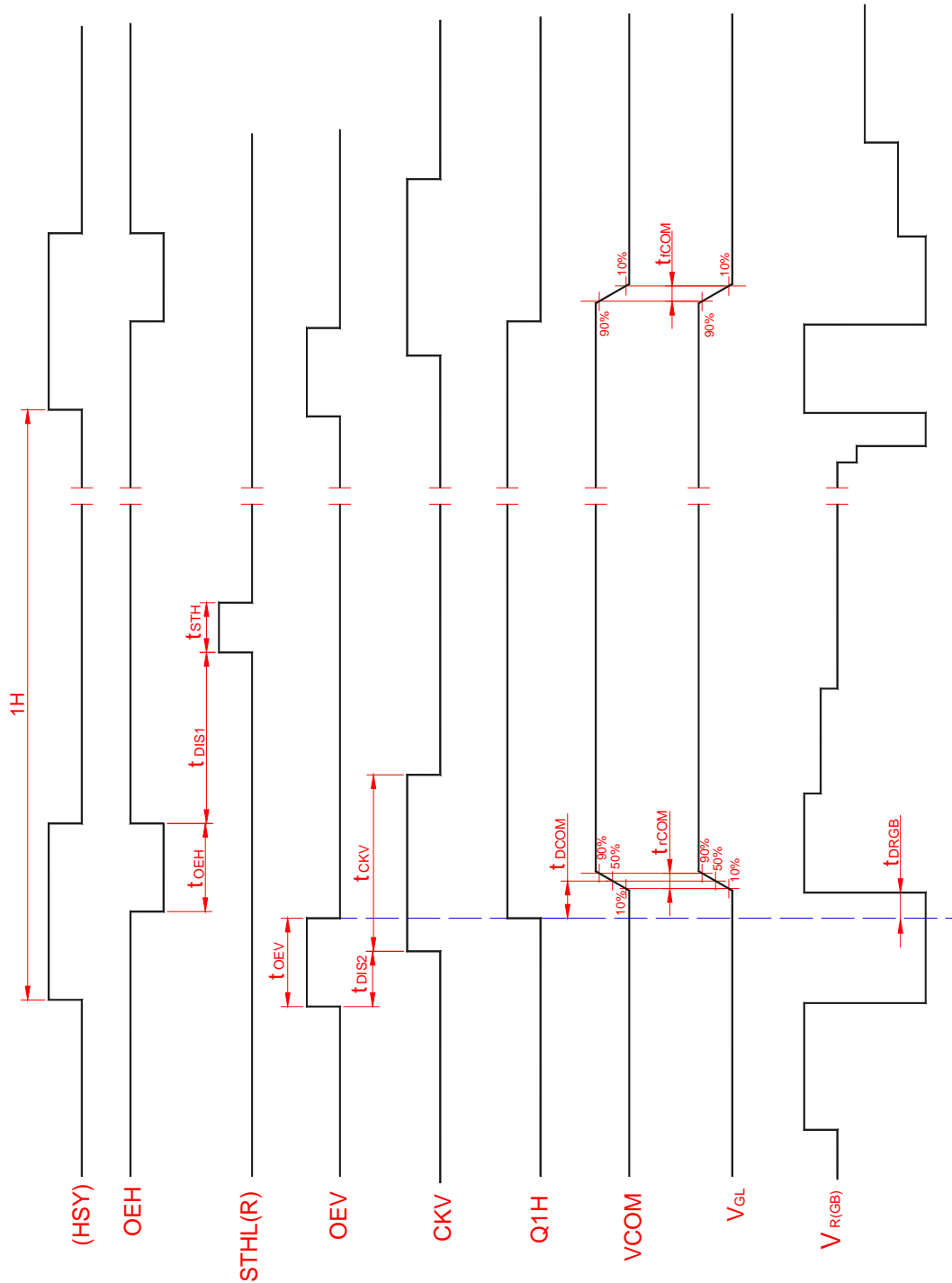


Fig.4-(b) Detail horizontal timing

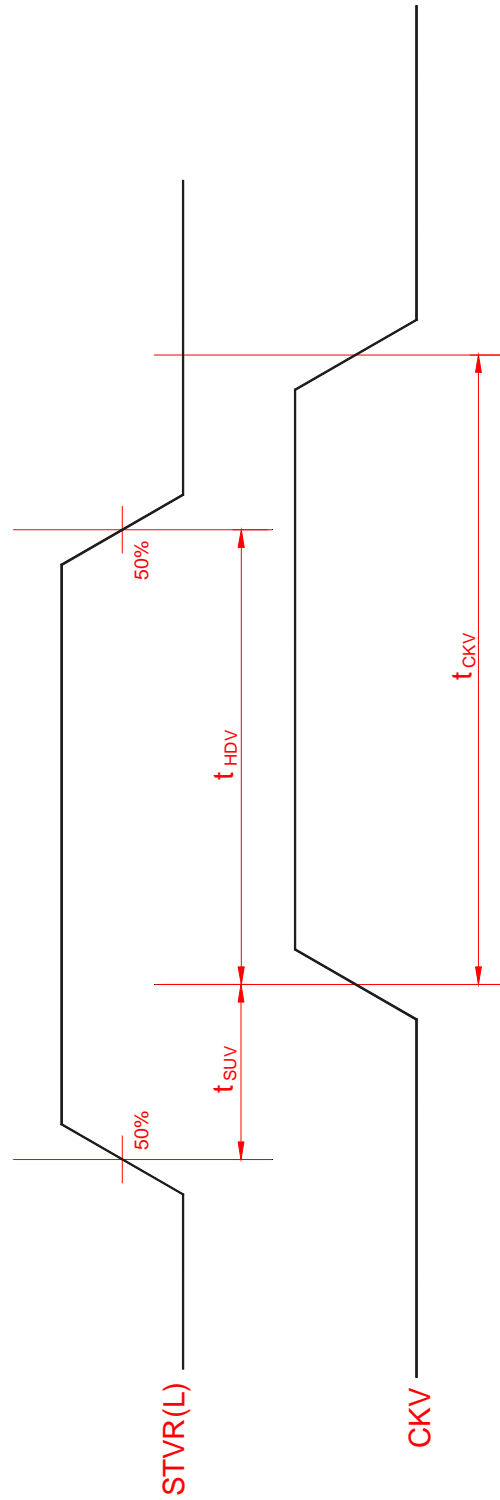


Fig.5 Vertical shift clock timing

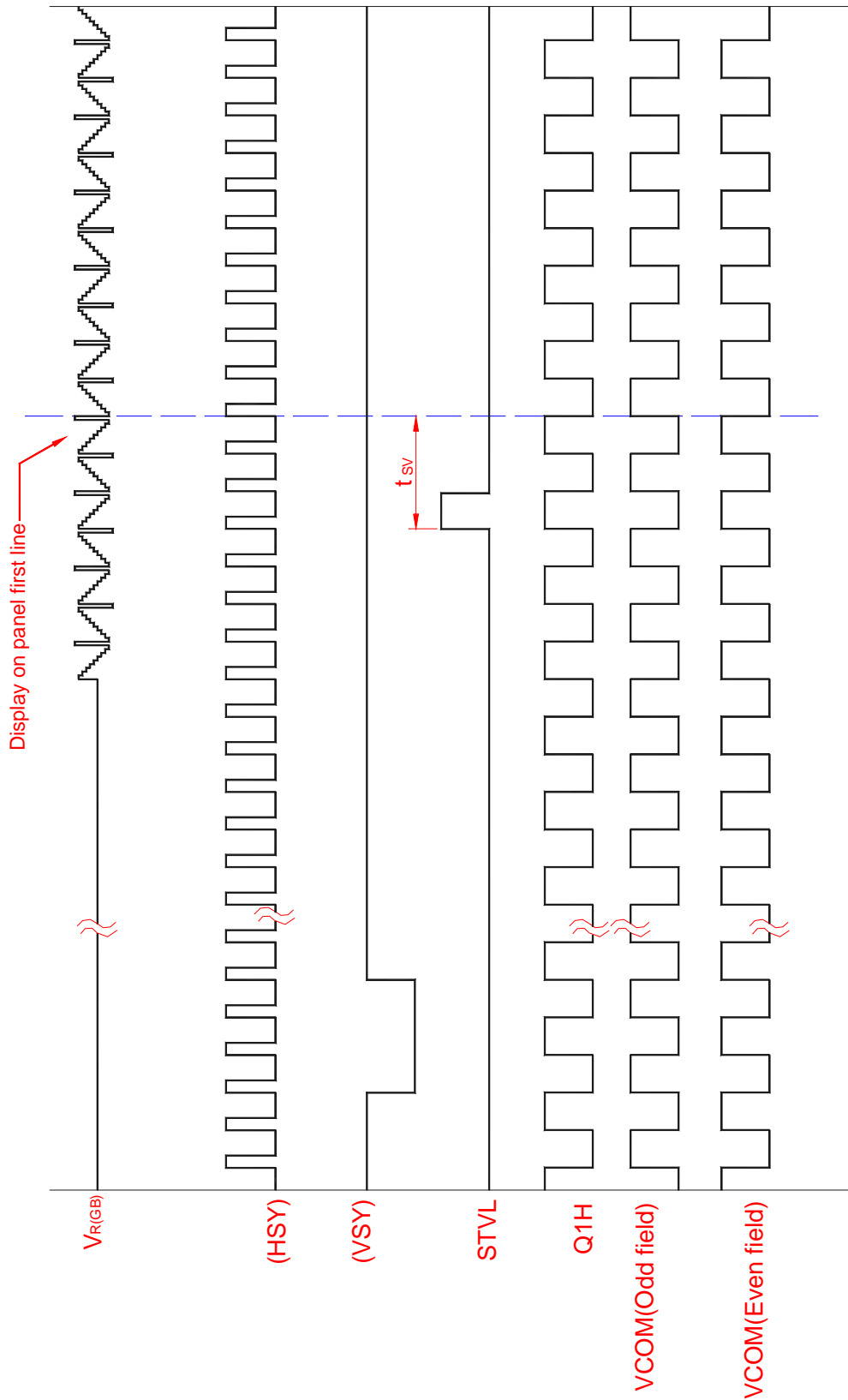


Fig.6-(a) Vertical timing (From up to down)

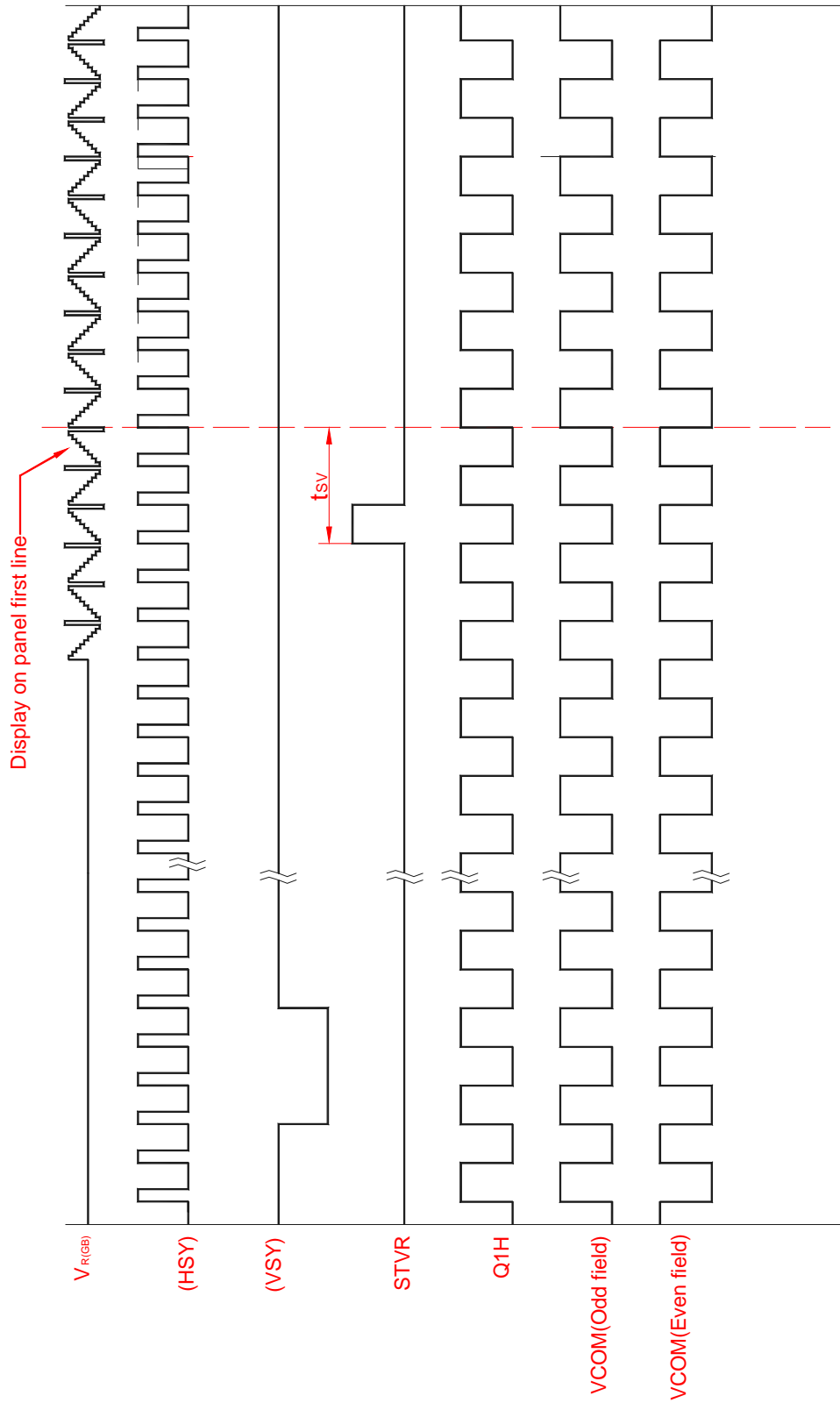


Fig.6-(b) Vertical timing (From down to up)